

10

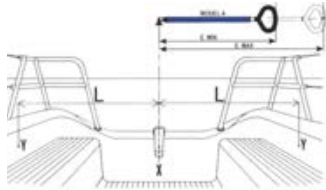
# CONTROLS STEERINGS / FLAPS TILLERS / BOW THRUSTERS



**Friend Ergo A Extension**

Friend tiller arm extension that can be adjusted with a simple rotation movement and remains blocked in desired position. It can be used manually or it can be fastened to the sides with the supplied hook. Allows to adjust the sails or to keep hands free without losing the course.

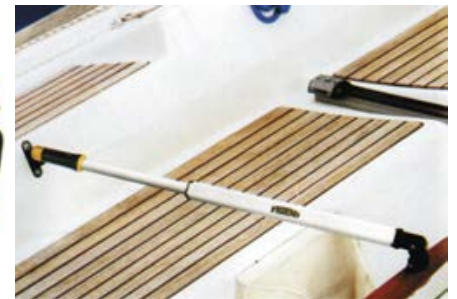
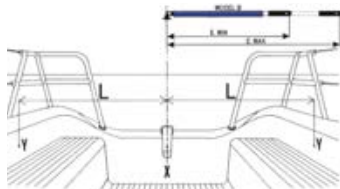
Code	E mm	Colour	UM	€
4705740	632<>935	BLUE	PCS	
4705741	632<>935	GREY	PCS	
4705860	732<>1035	BLUE	PCS	
4705861	732<>1035	GREY	PCS	



**Friend Classic B Extension**

Friend tiller arm extension that can be adjusted with a simple rotation movement and remains blocked in desired position. It can be used manually or it can be fastened to the sides with the supplied hook. Allows to adjust the sails or to keep hands free without losing the course.

Code	E mm	Colour	UM	€
4706740	632<>935	BLUE	PCS	
4706741	632<>935	GREY	PCS	
4706860	732<>1035	BLUE	PCS	
4706861	732<>1035	GREY	PCS	



**HS Stick Fix Extension**

Extralight fixed extension with tiller arm elastic coupling.

Code	L cm	UM	€
4707106	60	PCS	
4707110	100	PCS	



**HS Stick T Telescopic Extension**

Extra light telescopic extension with tiller arm ball coupling.

Code	L cm	UM	€
4707127	70<>100	PCS	
4707129	90<>140	PCS	



**Outboard Fixed Extension**

Outboard engine fixed tiller extension.

Code	L cm	UM	€
4708070	70	PCS	



**Outboard Telescopic Extension**

Outboard engine telescopic extension. With shut-down engine button.

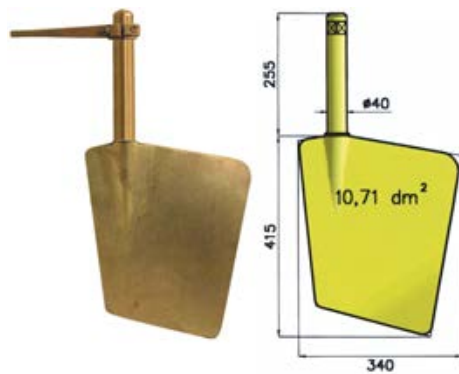
Code	L cm	UM	€
4708100	60<>100	PCS	



**D11 Rudder Blade**

Bronze rudder blade for boats from 7 to 9 meters. Endowed with tiller. To be completed with mount head.

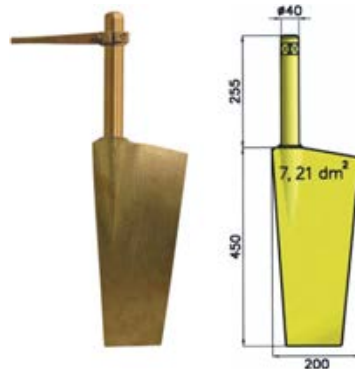
Code	UM	€
<b>4700404</b>	PCS	



**P7 Rudder Blade**

Bronze rudder blade for boats from 7 to 9 meters. Endowed with tiller. To be completed with mount head.

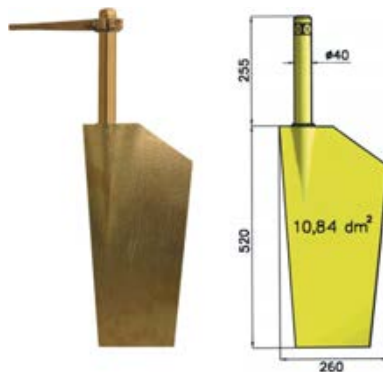
Code	UM	€
<b>4700504</b>	PCS	



**P11 Rudder Blade**

Bronze rudder blade for boats from 9 to 12 meters. Endowed with tiller. To be completed with mount head.

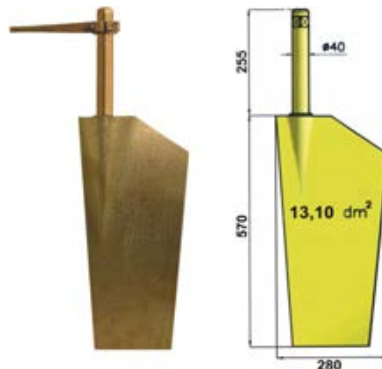
Code	UM	€
<b>4700506</b>	PCS	



**P13 Rudder Blade**

Bronze rudder blade for boats from 9 to 12 meters. Endowed with tiller. To be completed with mount head.

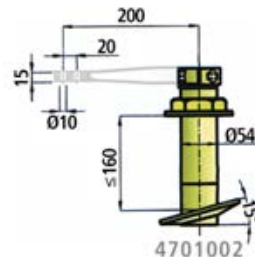
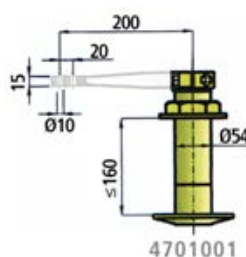
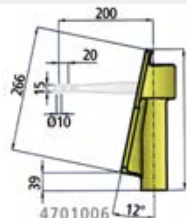
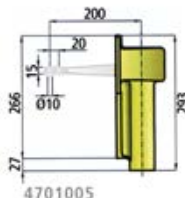
Code	UM	€
<b>4700507</b>	PCS	



**Rudder Mount Heads**

Bronze rudder mount heads without tiller.

Code	Ref	UM	€
<b>4701001</b>	0° Thru Mount Head	PCS	
<b>4701002</b>	15° Angled Thru Mount Head	PCS	
<b>4701005</b>	0° Plate Mount Head	PCS	
<b>4701006</b>	12° Angled Plate Mount Head	PCS	



**Doel Fin Hydrofoil**

Doel Fin Hydrofoils suitable for any type of outboard motor or stern drive. Made of unbreakable reinforced Plastic, designed to flex to absorb shocks. Reduces considerably chinewalking, porpoising, plane time and fuel consumption and increases thrust, speed and stability.

Code	UM	€
4720006	PCS	



**StingRay Airo Hydrofoils**

StingRay Airo Hydrofoils suitable for any type of boat, from the small inflatable boat outboard to a motorboat sterndrive. Made of hydrophilic waterproof material that does not produce friction. Mounted in two pieces with 4 holes on the cavitation plate.

**New**

- Save money by saving fuel.
- Increase thrust and top speed.
- Plane in half the time.
- Stabilize the boat.
- Reduce chinewalking and porpoising.

Code	Ref	For Outboard Engines	UM	€
4720007	Airo	4<->300 HP	PCS	



**StingRay Starfire Hydrofoils**

StingRay Starfire Hydrofoils with swept back Delta-Wing profile. All the best StingRay characteristics for a lower price. Made of hydrophilic water-absorbing material that eliminates friction. No-drill installation. Fixing socket width 175 mm.

- Save money by saving fuel.
- Increase thrust and top speed.
- Plane in half the time.
- Stabilizes the boat.
- Reduce chinewalking and porpoising.

Code	Ref	For Outboard Engines	UM	€
4720010	Starfire	40<->300 HP	PCS	



**StingRay Hyperfoil 500**

New StingRay Hyperfoil 500 Hydrofoils with swept back Delta-Wing profile. All the best StingRay characteristics for a lower price. Made of hydrophilic water-absorbing material that eliminates friction. No-drill installation for engines over 40 HP.

- Save money by saving fuel.
- Increase thrust and top speed.
- Plane in half the time.
- Stabilize the boat
- Reduce chinewalking and porpoising.

Code	Ref	For Outboard Engines	UM	€
4720050	Hyperfoil 500	3<->300 HP	PCS	



**StingRay XRIII Hydrofoils**

StingRay XRIII Hydrofoils with the best hydrodynamic efficiency for racing applications. Endowed with Tunnel-Prop technology used on off-shore boats which increases thrust while reduces friction factor at minimum. Made of hydrophilic water-absorbing material that eliminates friction. No-drill installation. Fixing socket width 180 mm.

- Save money by saving fuel.
- Increase thrust and top speed.
- Plane in half the time.
- Stabilize the boat.
- Reduce chinewalking and porpoising.

Code	Ref	For Outboard Engines	UM	€
4720040	Hydrofoil XRIII	60<>300 HP	PCS	

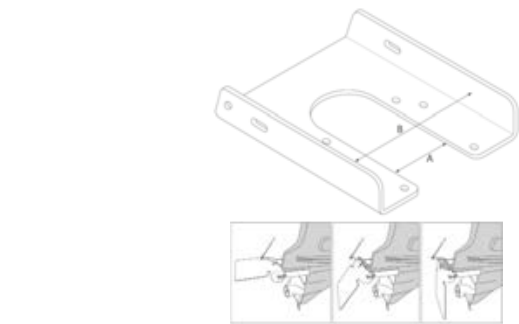


**Lil'Fella Trolling Plate <25HP**

High quality reinforced Polycarbonate trolling plate for all outboard engines up to 25 HP. The plate can be folded down with a remote cable and it brakes the propeller flow decreasing the boat speed for a perfect fish trolling (it is used at minimum RPM). Once the trolling is concluded, the plate can be raised and it becomes a flap (lower consumption, better stability and cruising speed).



Code	A mm	B mm	UM	€
4724000	72	183	PCS	

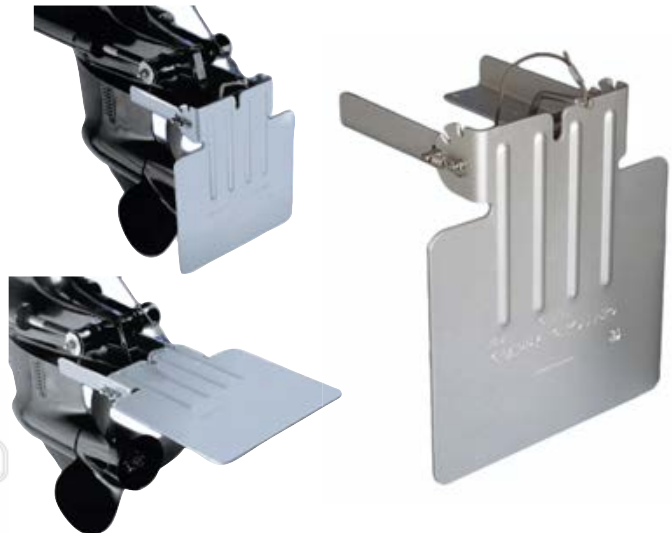
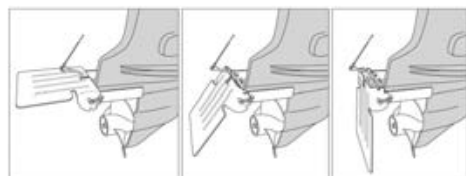


**Happy Troller Trolling Plate**

High quality Stainless Steel and marine grade Aluminum trolling plate. The plate can be folded down with a remote cable and it brakes the propeller flow decreasing the boat speed for a perfect fish trolling (it is used at minimum RPM). Once the trolling is concluded, the plate can be raised and it becomes a flap (lower consumption, better stability and cruising speed). It is mounted on the underside of the anti-cavitation plate, with engines above 200HP it must go on top. It can be adjusted in 3 positions for enhanced speed control. Warning: Do not give full throttle with the flap down or it could suffer damage.



Code	For Engine HP	A mm	B mm	UM	€
4724001	From 25 to 50	70	170	PCS	
4724002	From 50 to 250	70	170	PCS	



**SX Smart Tabs Automatic Flaps**

Rust and galvanic corrosion resistant reinforced thermo-molded Polymer Smart Tabs SX automatic flaps. They automatically set and keep the level / stabilize the boat thanks to the progressive actuator's spring. Do not require to be set and do not require control box or operator adjustment. Fast and easy installation without through holes. Save money by saving fuel. Increase thrust and top speed. Plane in half the time. Reduce bow lift angle. Reduce porpoising.

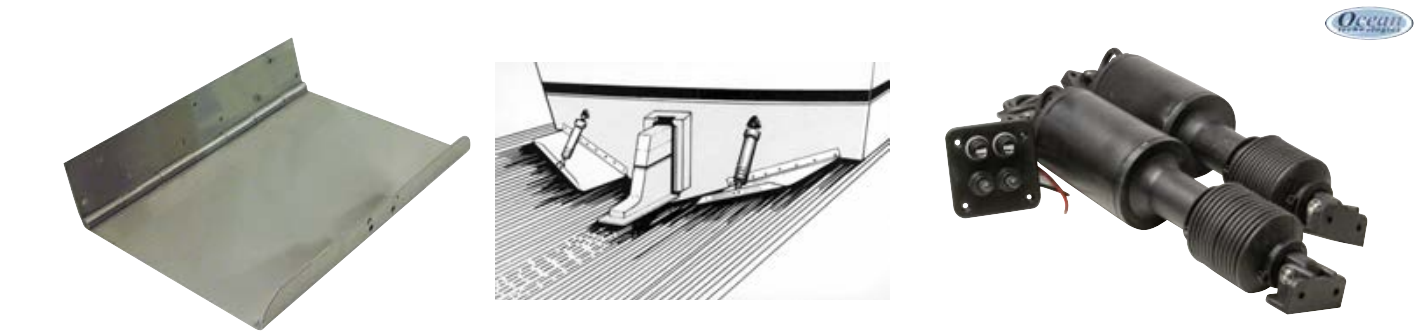
Code	Type	Plates Dim mm	Boat m	For Outboard Engine HP	For In/outboard Engine	UM	€
4728053	SX9510-30	240 x 250	4,00<->4,70	25<->40		PCK	
4728054	SX9510-40	240 x 250	4,00<->4,70	40<->60		PCK	
4728056	SX9510-60	240 x 250	4,60<->5,60	60<->135	4-6 Cylinders	PCK	
4728058	SX9510-80	240 x 250	5,60<->6,90	135<->220	8 Cylinders	PCK	
4728070	SX10512-70	265 x 300	6,40<->7,60	150<->220	4-6 Cylinders	PCK	
4728071	SX10512-90	265 x 300	6,40<->7,60	200<->250	8 Cylinders	PCK	



**Ocean Marine Trim Kit**

Maintenance free and easy installation electromechanical system that does not require hydraulic control unit and tubing. The kit includes actuators and control panel. To be completed with Stainless Steel tabs.

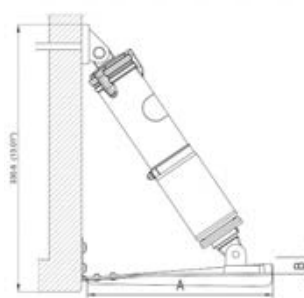
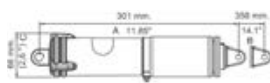
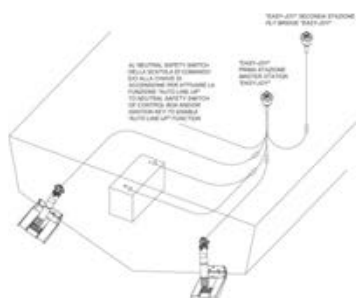
Code	Ref	Tabs Dim mm	Boat m	UM	€
4722012	12V Trim Kit			PCK	
4723012		300 x 230	<4,60	PR	
4723016		400 x 230	<5,30	PR	
4723022		550 x 230	<6,20	PR	



**Uflex Hi-Perf Trim Kit**

Maintenance free and easy installation electromechanical 12V Uflex trim kit. Does not require hydraulic control unit and tubing. Includes 2 actuators and control panel with joystick. Mirror polished Stainless Steel High Performance tabs to be purchased separately.

Code	Ref	Tabs Dim mm	Boat m	UM	€
4722042	Trim Kit			PCK	
4722050		228 x 228	4,5<->6,00	PR	
4722051		228 x 304	5,5<->7,00	PR	
4722052		304 x 304	6,00<->9,50	PR	



**Bennett Bolt Trim Kit**

Electric 12V Bennett trim tab kit complete with 2 actuators, 2 Stainless Steel tabs and control unit. For boats from 5.8 to 7.3 meters. Control panel have to be ordered separately.  
 Panel cod. 4723535: standard up-down control panel.  
 Panel cod. 4723537: up-down control panel with Auto Tab Retractor (automatically retracts the flaps once the keys are withdrawn).  
 Panel cod. 4723539: up-down control panel with Auto Tab Retractor (automatically retracts the flaps once the keys are withdrawn) and LED trim indicator with day/night dimmer.

Code	Ref	Tabs Dim mm	Accessories	UM	€
4726306	129 Trim Kit	300 x 230		PCK	
4726307	1212 Trim Kit	300 x 300		PCK	
4723535			Up-Down Control Panel	PCS	
4723537			Up-Down + ATR Control Panel	PCS	
4723539			Up-Down LED + ATR Control Panel	PCS	

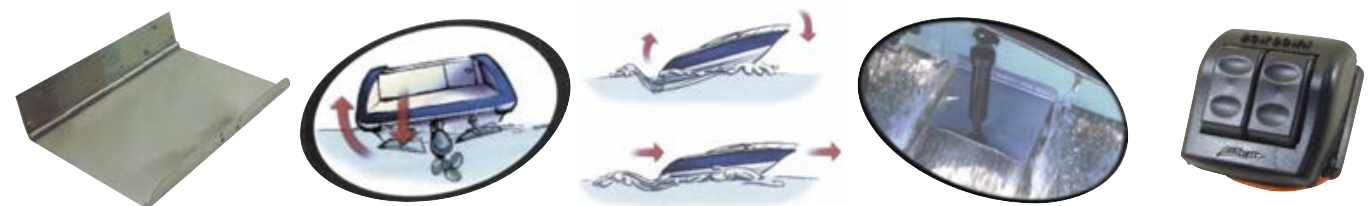


- BENNETT TRIM TABS -

**Bennett Trim Kit**

Electro-hydraulic Bennett Trim Tabs kit complete with:  
 two standard actuators, hoses with fittings, control unit and electric cables.  
 Tabs and control panel have to be ordered separately. Tabs size indicator:  
 300 mm x 230 mm for boats from 4.0 to 4.6 meters  
 400 mm x 230 mm for boats from 4.5 to 5.3 meters  
 550 mm x 230 mm for boats from 5.2 to 6.2 meters  
 450 mm x 300 mm for boats from 6.0 to 7.0 meters  
 550 mm x 300 mm for boats from 6.5 to 8.0 meters

Code	Ref	Spare Parts	UM	€
4726012	12V Bennett Trim Kit		PCK	
4726024	24V Bennett Trim Kit		PCK	
4723504		Up-Down Control Panel	PCS	
4723012		300 x 230 Tabs	PR	
4723016		400 x 230 Tabs	PR	
4723022		550 x 230 Tabs	PR	
4723118		450 x 300 Tabs	PR	
4723122		550 x 300 Tabs	PR	



**Bennett AutoTrim Pro**

Bennett all-in-one AutoTrim Pro trim control system composed of LED indicator control panel, control unit with auto tab retractor (ATR) and connection cables. Universal 12/24V power supply. It can be installed on both hydraulic and electric Bolt systems. The control unit detects signals in real time and sends the command to the flaps, correcting the trim in relation to the choice set, the speed, or the sea conditions. The ATR automatically retracts the flaps when the ignition key is removed.

Codet	Ref	UM	€
4723555	For Hydraulic Systems	PCS	
4723556	For Electric Systems	PCS	



**New**

FOR HYDRAULIC SYSTEMS

**LED Bennett Trim Indicator**

EIC5000 Bennett 12V indicator waterproof control panel with rocker switches, digital trim LED indicators and dimmer. Complete with Auto Tab Retractor (ATR) that automatically retracts the flaps once the keys are withdrawn. It can be mounted on any boat with Bennett flaps. For double stations additional control panel and switch should be purchased. The pack is composed of: 72x72 mm Control panel - 85x110xH45 Control unit with ATR - 2 or 4 Actuator heads with sensors - Cables and connectors.

Code	Trim Indicator	Accesories	UM	€
4723530	For 2 Actuators		PCK	
4723531	For 4 Actuators		PCK	
4723534		Additional Panel	PCS	
4723541		2-Panel Control Switch	PCS	



**New**

**Bennett NMEA2000 Trim Sensor**

Bennett trim sensor that allows to control the position of the flaps. With the NMEA2000 connector it can be linked to the boat NMEA system, allowing the data to be displayed on any other device. Includes actuator heads with sensors, cables and NMEA module.

Code	UM	€
4723540	PCK	



**Bennett Trim Kit Spare Parts**

Electro-hydraulic Bennett Trim kit spare parts.

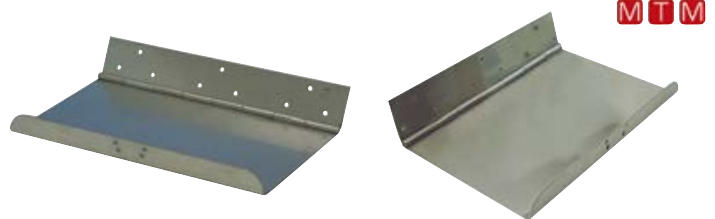
Code	Ref	UM	€
4723512	12V Hydraulic Control Unit	PCS	
4723524	24V Hydraulic Control Unit	PCS	
4723501	Standard Actuator L345 mm	PCS	
4723505	Standard Actuator Upper Hinge	PCS	
4723502	M80/M120 Kit Actuator L285 mm	PCS	
4723518	Wiring Cable 6 m	PCS	
4723513	Solenoid Valve Red Wire	PCS	
4723514	Solenoid Valve Green Wire	PCS	
4723508	12V Relay	PCS	
4723509	24V Relay	PCS	
4723516	Hydraulic Hose 6 m	PCS	
4726028	Double Actuator Fittings Kit	PCK	



**Stainless Steel Trim Tabs**

Stainless Steel trim tabs. To be mounted with one actuator per tab. Actuators not included.

Code	Width mm	Depth mm	Boat m	UM	€
4723012	300	230	<4,60	PR	
4723016	400	230	<5,30	PR	
4723022	550	230	<6,20	PR	
4723118	450	300	<7,00	PR	
4723122	550	300	<8,00	PR	



MTM



**Mahogany CM Helmsmann's Wheel**

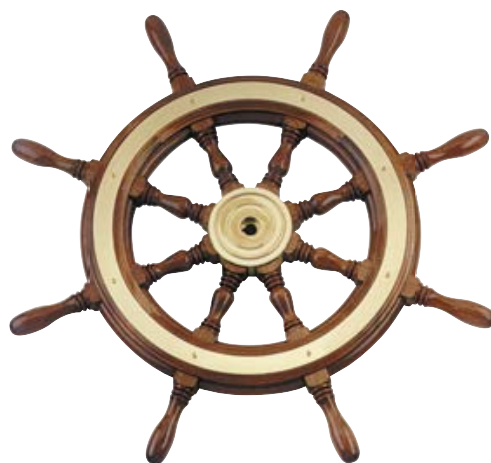
Polished Brass hub Mahogany Helmsmann's wheel. 19(>17) mm (3/4") Hub with 5 mm wide groove.

Code	ø mm	UM	€
4645030	300	PCS	
4645037	370	PCS	
4645042	420	PCS	
4645050	500	PCS	
4645060	600	PCS	
4645070	700	PCS	
4645080	800	PCS	
4645100	1000	PCS	

**Mahogany CO Helmsmann's Wheel**

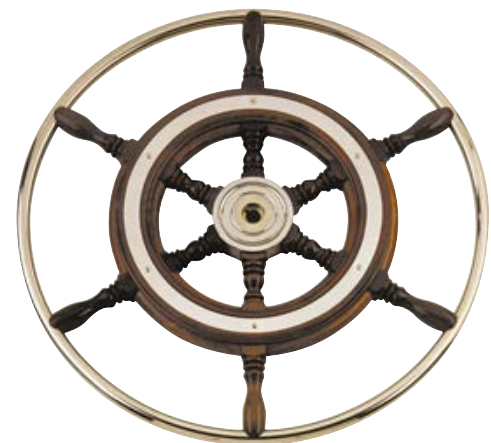
Polished Brass hub and rim Mahogany helmsmann's wheel. 19(>17) mm (3/4") Hub with 5 mm wide groove.

Code	ø mm	UM	€
4645230	300	PCS	
4645237	370	PCS	
4645242	420	PCS	
4645250	500	PCS	
4645260	600	PCS	
4645270	700	PCS	
4645280	800	PCS	

**Mahogany IA Helmsmann's Wheel**

Chromed Brass hub Mahogany helmsmann's wheel with Stainless Steel grip. 19(>17) mm (3/4") Hub with 5 mm wide groove.

Code	ø mm	UM	€
4645542	420	PCS	
4645550	500	PCS	
4645560	600	PCS	
4645570	700	PCS	
4645580	800	PCS	

**Teak-S/Steel Helmsmann's Wheel**

Stainless Steel Helmsmann's wheels with Teak grip. 19(>17) mm (3/4") Hub with 5 mm wide groove.

Code	ø mm	UM	€
4646040	400	PCS	
4646045	450	PCS	
4646050	500	PCS	
4646060	600	PCS	



**Foldable P Handle**

Foldable handle with mount base for helmsmann's wheels.

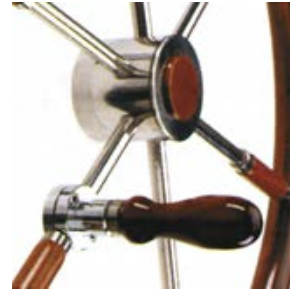
Code	UM	€
4645010	PCS	



**Foldable PR Handle**

Foldable handle with clamp mount for helmsmann's wheels.

Code	UM	€
4645009	PCS	



**Helmsmann's Wheels Accessories**

Polished Brass hub cap and conic reduction bushing for helmsmann's wheels. The bushing reduces from 25 to 19 mm (from 1" to 3/4").

Code	Ref	UM	€
4645013	Hub Cap for Wheels up to 420 mm	PCS	
4645014	Hub Cap for Wheels From 490 to 650 mm	PCS	
4645015	Hub Cap for Wheels Above 700 mm	PCS	
4645016	Reduction Bushing	PCS	



**S/Steel Helmsmann's Wheels**

Stainless Steel frame Helmsmann's wheels. 19(>17) mm (3/4") Hub with 5 mm wide groove.

Code	ø mm	UM	€
4647042	420	PCS	
4647050	500	PCS	
4647060	600	PCS	
4647070	700	PCS	
4647080	800	PCS	
4647100	1000	PCS	
4647120	1200	PCS	



**Polyurethane-S/Steel Helmsmann's Wheels**

Stainless Steel Helmsmann's wheels with Polyurethane grip. 19(>17) mm (3/4") Hub with 5 mm wide groove.

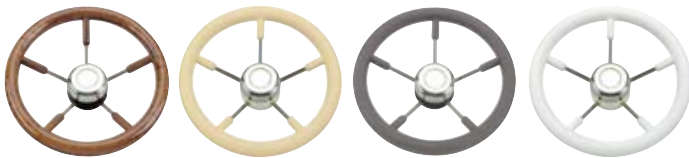
Code	ø mm	UM	€
4645845	450	PCS	
4645855	550	PCS	
4645870	700	PCS	



**P/Steel Classic Steering Wheel**

5 Spoke Stainless Steel steering wheels with Polyurethane or Mahogany grip.

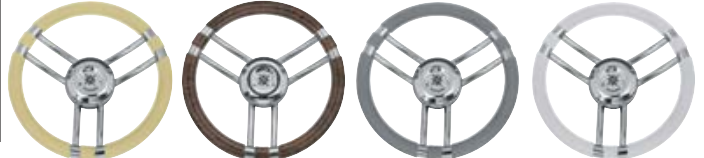
Code	Frame	Hand Grip	Colour	ø mm	UM	€
4645836	Stainless Steel	Polyurethane	BLACK	350	PCS	
4645839	Stainless Steel	Polyurethane	BLACK	400	PCS	
4645834	Stainless Steel	Polyurethane	WHITE	350	PCS	
4645840	Stainless Steel	Polyurethane	WHITE	400	PCS	
4645835	Stainless Steel	Polyurethane	GREY	350	PCS	
4645841	Stainless Steel	Polyurethane	GREY	400	PCS	
4645837	Stainless Steel	Polyurethane	CREAM	350	PCS	
4645842	Stainless Steel	Polyurethane	CREAM	400	PCS	
4645838	Stainless Steel	Mahogany	MAHOGANY	350	PCS	
4645843	Stainless Steel	Mahogany	MAHOGANY	400	PCS	



**Ray/Steel Steering Wheel**

3 Spoke Stainless Steel steering wheels with Polyurethane or Briar grip. Stainless Steel finishing rings. Diameter: 350 mm.

Code	Frame	Hand Grip	Colour	UM	€
4641711	Stainless Steel	Polyurethane	BLACK	PCS	
4641712	Stainless Steel	Polyurethane	WHITE	PCS	
4641713	Stainless Steel	Polyurethane	GREY	PCS	
4641714	Stainless Steel	Polyurethane	IVORY	PCS	
4641715	Stainless Steel	Briar	BRIAR	PCS	



**V25/Steel Steering Wheel**

3 Spoke Stainless Steel steering wheels with Polyurethane or Mahogany grip. **ULTRAFLEX** Diameter: 350 mm.

Code	Frame	Hand Grip	Colour	UM	€
4641735	Stainless Steel	Polyurethane	BLACK	PCS	
4641736	Stainless Steel	Polyurethane	WHITE	PCS	
4641737	Stainless Steel	Polyurethane	GREY	PCS	
4641738	Stainless Steel	Stainless Steel	STEEL	PCS	
4641739	Stainless Steel	Mahogany	MAHOGANY	PCS	



**Targa/Steel Steering Wheel**

3 Spoke Stainless Steel steering wheels with Polyurethane or Mahogany grip. Chromed finishing inserts. Diameter: 350 mm.

Code	Frame	Hand Grip	Colour	UM	€
4641701	Stainless Steel	Polyurethane	BLACK	PCS	
4641702	Stainless Steel	Polyurethane	WHITE	PCS	
4641703	Stainless Steel	Polyurethane	GREY	PCS	
4641704	Stainless Steel	Polyurethane	IVORY	PCS	
4641705	Stainless Steel	Mahogany	MAHOGANY	PCS	



**S/Steel Classic Steering Wheel**

5 Spoke Stainless Steel frame steering wheels.

Code	ø mm	UM	€
4641532	320	PCS	
4641535	350	PCS	
4641537	370	PCS	
4641540	400	PCS	



**M/Steel Classic Steering Wheel**

5 Spoke Stainless Steel steering wheels with Mahogany grip.

Code	ø mm	UM	€
4641635	350	PCS	
4641640	400	PCS	



- POLYURETHANE AND THERMOPLASTIC STEERING WHEELS -

**Nisida Steering Wheel**

Steering wheels with Aluminum antishock frame and Polyurethane soft grip. CE marked in compliance with EN and ABYC rules. Hub and cap have to be purchased separately.

Code	ø mm	Accessories	UM	€
4645938	350		PCS	
4648000		Standard Hub 3/4"	PCS	



ULTRAFLEX

**Santorini Steering Wheel**

Steering wheels with Aluminum antishock frame and Polyurethane soft grip. Silver Metal inserts. CE marked in compliance with EN and ABYC rules. Hub and cap have to be purchased separately.

Code	ø mm	Accessories	UM	€
4645940	350		PCS	
4648000		Standard Hub 3/4"	PCS	



ULTRAFLEX

**Mykonos Steering Wheel**

Polyurethane compact steering wheels with Aluminum antishock frame and with soft grip. Silver Metal inserts. CE marked in compliance with EN and ABYC rules. Hub and cap have to be purchased separately.

Code	ø mm	Accessories	UM	€
4645937	320		PCS	
4648000		Standard Hub 3/4"	PCS	



ULTRAFLEX

**Portofino Steering Wheel**

Shockproof thermoplastic steering wheel with soft grip and Silver Metal inserts. CE marked in compliance with EN and ABYC standards. Complete with central cap and hub with standard 3/4" cone.

New

Code	ø mm	UM	€
4645941	350	PCS	



ULTRAFLEX

**Sporty T15 Steering Wheel**

Steering wheels with Anodized Aluminum frame and Polyurethane soft grip. CE marked in compliance with EN and ABYC rules.

Code	ø mm	Colour	UM	€
4642701	350	BLACK	PCS	
4642702	350	WHITE	PCS	
4642703	350	GREY	PCS	



**Compact V45 Steering Wheel**

Antishock thermoplastic material compact steering wheels with soft grip. CE **ULTRAFLEX** marked in compliance with EN and ABYC rules.

Code	ø mm	Colour	UM	€
4642045	280	BLACK	PCS	
4642145	280	WHITE	PCS	
4642345	280	GREY	PCS	



**Compact VR00 Steering Wheel**

Leather effect thermoplastic antishock material compact steering wheels with soft grip. Carbon effect ABS spokes. CE marked in compliance with EN and ABYC rules.



Code	ø mm	Colour	UM	€
4642801	280	BLACK	PCS	
4642802	280	WHITE	PCS	
4642803	280	GREY	PCS	



**Compact VR00 Race Steering Wheel**

Leather effect thermoplastic antishock material compact steering wheels with soft grip. Carbon effect ABS spokes. CE marked in compliance with EN and ABYC rules.



Code	ø mm	Colour	UM	€
4642804	280	IVORY	PCS	
4642805	280	RED	PCS	
4642806	280	BLUE	PCS	



**V32 Steering Wheel**

Antishock thermoplastic material steering wheels with rigid grip.



Code	ø mm	Colour	UM	€
4640032	335	BLACK	PCS	
4640030	335	GREY	PCS	
4640031	335	WHITE	PCS	



**V33 Steering Wheel**

Antishock thermoplastic material steering wheels with rigid grip.



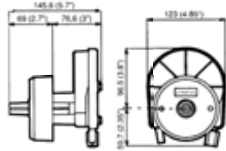
Code	ø mm	Colour	UM	€
4640033	342	BLACK	PCS	
4640132	342	WHITE	PCS	
4640232	342	GREY	PCS	



**T67 Ultraflex Steering System**

T67 rotary steering helm. To be completed with M58 cable. For small outboard engines under 40 Kw (55 HP).

Code	Ref	Hub Cap	UM	€
4630067	T67	BLACK	PCS	
4630167	T67W	WHITE	PCS	

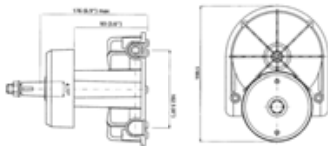


ULTRAFLEX

**T85 Standard Type Steering System**

T85 Steering helm for boats with outboard, inboard and stern drive engines up to 110 KW (150 HP). Complete with hub cap. To be completed with M66 or M90 Mach steering cables.

Code	Ref	Hub Cap	UM	€
4630085	T85 Steering Helm	BLACK	PCS	
4630086	T85W Steering Helm	WHITE	PCS	

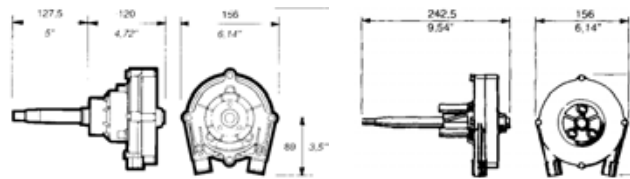


ULTRAFLEX

**T71FC/T73NRFC Professional Type Steering System**

T71FC/T73NRFC Professional steering helms for boats with outboard, inboard and stern drive engines up to 110 KW (150 HP). To be completed with M66 or M90 Mach steering cables. T73NRFC is designed to prevent the comeback of the wheel and to keep the desired course.

Code	Ref	Accessories	UM	€
4630071	T71FC Steering Helm		PCS	
4630073	T73NRFC Steering Helm		PCS	
4633470		X34B BLACK Hub Cap	PCS	
4633471		X34W WHITE Hub Cab	PCS	
4633570		X35 20° BLACK Hub Cap	PCS	

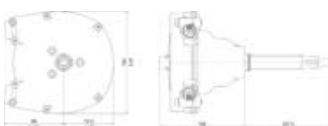


ULTRAFLEX

**T91/T93ZT Professional Type Steering System**

T91/T93ZT High-level professional steering helms for boats with outboard, inboard and stern drive engines up to 50 mph. To be completed with M90 Mach steering cable. T93ZT: Non-reverse type that prevents the comeback of the wheel and keeps the desired course.

Code	Ref	Accessories	UM	€
4630091	T91 Steering Helm		PCS	
4630093	T93ZT Steering Helm		PCS	
4633470		X34B BLACK Hub Cap	PCS	
4633471		X34W WHITE Hub Cab	PCS	
4633570		X35 20° BLACK Hub Cap	PCS	



ULTRAFLEX

CONTROLS STEERINGS/FLAPS/TILLERS/BOW THRUSTERS

**M58 Steering Cable**

M58 Cable for T67 Ultraflex steering helms. It can be mounted on C230/231 Morse - Compac T Teleflex - 805 TX steering systems.

Code	Feet	m	UM	€
4635807	7'	2.14	PCS	
4635808	8'	2.44	PCS	
4635809	9'	2.75	PCS	
4635810	10'	3.05	PCS	
4635811	11'	3.36	PCS	
4635812	12'	3.66	PCS	
4635813	13'	3.97	PCS	
4635814	14'	4.27	PCS	
4635815	15'	4.59	PCS	
4635816	16'	4.88	PCS	
4635817	17'	5.19	PCS	
4635818	18'	5.49	PCS	
4635819	19'	5.80	PCS	
4635820	20'	6.10	PCS	



ULTRAFLEX

Code	Feet	m	UM	€
4635821	21'	6.40	PCS	
4635822	22'	6.72	PCS	

**M66 Steering Cable**

Ultraflex M66 cable for Steering helms:  
ULTRAFLEX T85 – T71FC – T73NFC – T81FC – T83NFC  
TELEFLEX Safe – TQC - NFB - TII - NFB 4.2  
MORSE D290

Old type steering helms T71-T72-T73NR-T74NR-T81-T83NR uses K66 (4622066) adapter kit.

Code	Feet	m	Accessories	UM	€
4636608	8'	2.44		PCS	
4636609	9'	2.75		PCS	
4636610	10'	3.05		PCS	
4636611	11'	3.36		PCS	
4636612	12'	3.66		PCS	
4636613	13'	3.97		PCS	
4636614	14'	4.27		PCS	
4636615	15'	4.59		PCS	
4636616	16'	4.88		PCS	
4636617	17'	5.19		PCS	



ULTRAFLEX

Code	Feet	m	Accessories	UM	€
4636618	18'	5.49		PCS	
4636619	19'	5.80		PCS	
4636620	20'	6.10		PCS	
4636622	22'	6.72		PCS	
4636624	24'	7.33		PCS	
4636626	26'	7.93		PCS	
4636628	28'	8.54		PCS	
4636630	30'	9.15		PCS	
4636634	34'	10.37		PCS	
4636636	36'	10.98		PCS	
4636640	40'	12.20		PCS	
4622066			K66 Kit	PCS	

**M90 Mach Steering Cable**

Easy movement high flexibility Ultraflex M90 Mach steering cable for steering helms:  
Ultraflex T85 – T71FC – T72FC – T73NFC – T74NFC - T81FC – T83NFC - T91 - T93ZT - T101 - T103ZT  
Teleflex Safe TQC - NFB safe TII - NFB4.2  
Morse D290

Code	Feet	m	UM	€
4639008	8'	2.44	PCS	
4639009	9'	2.75	PCS	
4639010	10'	3.05	PCS	
4639011	11'	3.36	PCS	
4639012	12'	3.66	PCS	
4639013	13'	3.97	PCS	
4639014	14'	4.27	PCS	
4639015	15'	4.59	PCS	
4639016	16'	4.88	PCS	
4639017	17'	5.19	PCS	
4639018	18'	5.49	PCS	



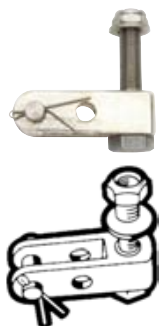
ULTRAFLEX

Code	Feet	m	UM	€
4639019	19'	5.80	PCS	
4639020	20'	6.10	PCS	
4639022	22'	6.72	PCS	
4639024	24'	7.33	PCS	
4639026	26'	7.93	PCS	
4639028	28'	8.54	PCS	
4639030	30'	9.15	PCS	
4639036	36'	10.98	PCS	
4639040	40'	12.20	PCS	

**A75 Engine Connection**

A75 Ultraflex engine connection.

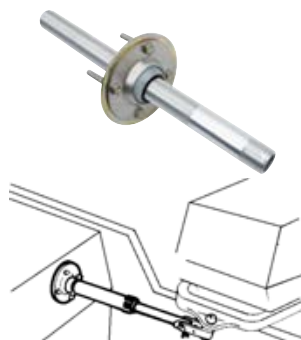
Code	Ref	UM	€
4637075	A75	PCS	



**S40 Ball Joint Flange**

S40 Ultraflex ball joint flange with Stainless Steel tube.

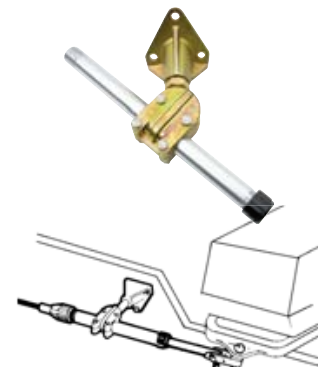
Code	Ref	UM	€
4636540	S40SS	PCS	



**S39 Ball Joint Bracket**

S39 Ultraflex ball joint bracket.

Code	Ref	UM	€
4636539	S39	PCS	



**Hydraulic Steering System Gotech <115HP**

Practical and easy to install Gotech steering system kit for outboards up to 115HP total.

The kit includes:

- UP18 Pump (Cod MTM 4655001)
- UC81 Cylinder (Cod MTM 4655007)
- 2 Liters hydraulic oil
- 6 m Hoses kit

Code	Ref	UM	€
4655025	Gotech Steering Kit	PCK	



ULTRAFLEX

**Hydraulic Steering System Hytech <175HP**

Practical and easy to install Hytech1 steering system kit for all outboards up to 175HP total which includes:

- 1 UP20F Pump (Cod MTM 4655002)
- 2 Liters Ultraflex hydraulic oil
- 1 UC95-OBF/1 Cylinder (Cod MTM 4655010)

To be completed with two 5/16 hydraulic hoses kit with 10 mm fitting.

Practical and easy to install Hytech2 steering system kit only for Mercury Optimax 75/90/115 and Honda BF115D/BF130A outboards, which includes:

- 1 UP20F Pump (Cod MTM 4655002)
- 2 Liters Ultraflex hydraulic oil
- 1 UC95-OBF/3 Cylinder (Cod MTM 4655009)

To be completed with two 5/16 hydraulic hoses kit with 10 mm fitting.

Thru-bulkheads are used for passing the 2 hydraulic hoses on the transom.

Code	Ref	Accessories	UM	€
4655030	Steering Kit Hytech 1		PCK	
4655029	Steering Kit Hytech 2		PCK	
4650031		3 m 2 Hydraulic Hoses Kit	PR	
4650035		3,5 m 2 Hydraulic Hoses Kit	PR	
4650040		4 m 2 Hydraulic Hoses Kit	PR	
4650045		4,5 m 2 Hydraulic Hoses Kit	PR	
4650051		5 m 2 Hydraulic Hoses Kit	PR	
4650055		5,5 m 2 Hydraulic Hoses Kit	PR	
4650060		6 m 2 Hydraulic Hoses Kit	PR	
4650065		6,5 m 2 Hydraulic Hoses Kit	PR	
4650070		7 m 2 Hydraulic Hoses Kit	PR	
4650076		7,5 m 2 Hydraulic Hoses Kit	PR	
4636401		White Thru-Bulkhead for 2 Hoses	PCS	
4636402		Black Thru-Bulkhead for 2 Hoses	PCS	
4636410		Threaded Thru-Bulkhead for 2 Hoses	PCS	



ULTRAFLEX

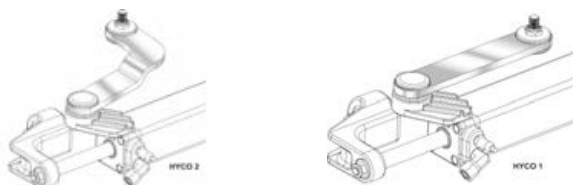
**Hytech and Gotech Steering Systems Spare Parts and Accessories**

Hytech and Gotech steering systems spare parts and accessories.

Code	Ref	For Steering System	UM	€
4655007	UC81 Cylinder	Gotech	PCS	
4655001	UP18 Pump	Gotech	PCS	
4655010	UC95-OBF/1 Cylinder	Hytech 1	PCS	
4655009	UC95-OBF/3 Cylinder	Hytech 2	PCS	
4655002	UP20F Pump	Hytech 1/ Hytech 2	PCS	
4655080	X64 Pump Flush Flange	Hytech 1/ Hytech 2	PCS	
5705943	1 Lt Ultraflex Oil	All Steering Systems	PCS	



ULTRAFLEX





**Hydraulic Steering System Nautech <300HP**

Nautech1 steering system kit for outboards:

Mercury 2 and 4ST from 100 to 300 HP - Yamaha 4ST from F70 to F150 and from F200 a F300 - Honda 4ST 75/90/115A and from 135 to 250 HP - Suzuki 4ST from 100 to 175 HP - Tohatsu 4ST form 70 to 115 HP - Selva 2ST from 80 to 150 and 4ST 150 HP - Johnson 4ST from 90 to 140 HP.

Practical and easy to install, includes:

- 1 UP28F Pump (Cod MTM 4656601), 4.3 wheel turns
- 1 UC128-OBF/1 cylinder (Cod MTM 4655014)
- 2 Liters Ultraflex hydraulic oil.

Thru-bulkheads are used for passing the 2 hydraulic hoses on the transom.

To be completed with two 5/16 hydraulic hoses kit with 10 mm fitting.

Nautech2 steering system kit for outboards:

Evinrude 2ST from 75 to 300 HP - Yamaha 2ST from 75 to 300 HP and 4ST from F200 to F250 (<2007) - Suzuki 4ST from 70 to 90 and from 200 to 300 HP - Tohatsu 2ST from 115 to 140 HP - Selva from 100 to 115 HP (<2007) - Johnson 2ST from 90 to 175 and 4ST from 200 to 225 HP.

Practical and easy to install, includes:

- 1 UP28F Pump (Cod MTM 4656601), 4.3 wheel turns
- 1 UC128-OBF/2 cylinder (Cod MTM 4655015)
- 2 Liters Ultraflex hydraulic oil.

Thru-bulkheads are used for passing the 2 hydraulic hoses on the transom.

To be completed with two 5/16 hydraulic hoses kit with 10 mm fitting.

Code	Ref	Accessories	UM	€
4655034	Steering Kit Nautech 1		PCK	
4655035	Steering Kit Nautech 2		PCK	
4650031		3 m 2 Hydraulic Hoses Kit	PR	
4650035		3,5 m 2 Hydraulic Hoses Kit	PR	
4650040		4 m 2 Hydraulic Hoses Kit	PR	
4650045		4,5 m 2 Hydraulic Hoses Kit	PR	
4650051		5 m 2 Hydraulic Hoses Kit	PR	
4650055		5,5 m 2 Hydraulic Hoses Kit	PR	
4650060		6 m 2 Hydraulic Hoses Kit	PR	
4650065		6,5 m 2 Hydraulic Hoses Kit	PR </td <td></td>	
4650070		7 m 2 Hydraulic Hoses Kit	PR	
4650076		7,5 m 2 Hydraulic Hoses Kit	PR	
4636401		White Thru-Bulkhead for 2 Hoses	PCS	
4636402		Black Thru-Bulkhead for 2 Hoses	PCS	
4636410		Threaded Thru-Bulkhead for 2 Hoses	PCS	



**Nautech Steering System Spare Parts and Accessories**

Nautech steering systems spare parts and accessories.

Spare parts: cylinders and pumps.

Accessories: X64 flush pump flange, X72 steering wheel angle adjustment system, dual outboards connection A94 tie bar.

Code	Ref	For Steering System	UM	€
4655014	UC128-OBF/1 Cylinder	Nautech 1	PCS	
4655015	UC128-OBF/2 Cylinder	Nautech 2	PCS	
4656601	UP28F Pump	Nautech 1/ Nautech 2	PCS	
4655080	X64 Flush Pump Flange	All Steering Sytems	PCS	
4655530	X72 Steering Wheel Angle Adjustment System	Nautech 1/ Nautech 2 / SilverSteer	PCS	
4655055	Dual outboards coonnection A94 tie bar	Nautech 1/ Nautech 2 / SilverSteer	PCS	
5705943	1 Lt Ultraflex Oil	All Steering Systems	PCS	



**Hydraulic Steering System SilverSteer >300HP**

High performance SilverSteer steering system for more than 300 HP outboards. The engine connection is made of high-strength Stainless-Steel (Ultrabolt). Composed by separated sold pieces:

1 UP28F-SVS Pump (Cod MTM 4655501) with 4.6 wheel turns or 1 UP33F-SVS Pump (Cod MTM 4655502) with 3.9 wheel turns. The pumps are complete with non-return valve and overpressure protection valve.

1 UC130/1-SVS Cylinder (Cod MTM 4655511) or 1 UC130/2-SVS Cylinder (Cod MTM 4655512); 1 Hose Kit OB-SVS; 2 Lt Hydraulic oil.

The two cylinders UC130/1-SVS and UC130/2-SVS are different in the engine connection:  
 - UC130/1 (Cod MTM 4655511) is made for: Mercury 2 e 4ST from 135 to 300 HP - Yamaha 4ST from 150 to 350 HP - Honda 4ST from 150 to 250 HP - Suzuki 4ST from 100 to 175 HP;  
 - UC130/2 (Cod MTM 4655512) is made for: Evinrude E 2ST from 150 to 300 HP - Yamaha 2ST from 150 to 300 HP - Suzuki 4ST from 200 to 300 HP.

The hose kit is composed by a couple of high-strength 5/16 hoses reinforced with a Kevlar braid with pre-crimped 10 mm fittings and reinforcement sleeves.

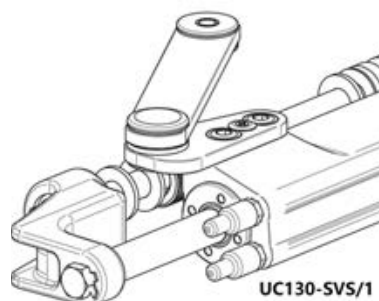
The X72 steering wheel angle adjustment system (Cod MTM 4655530) for Nautech steering pumps and SilverSteer steering pumps allows 5 different driving positions for a total angle of 60°.

The outboard dual connection A94 tie bar (Cod MTM 4655055) is used with a single cylinder UC130-SVS and it can be mounted on engines with variable wheelbase from 660 mm to 950 mm.

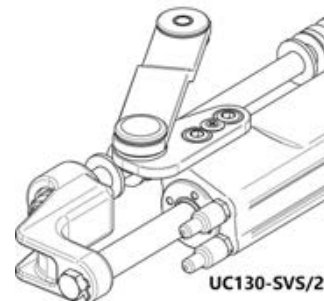
Code	Ref	Accessories	UM	€
4655501	UP28F - SVS Pump		PCS	
4655502	UP33F - SVS Pump		PCS	
4655511	UC130 - SVS/1 Cylinder		PCS	
4655512	UC130 - SVS/2 Cylinder		PCS	
4655610		1 m 2 Hydraulic Hoses Kit	PR	
4655615		1,5 m 2 Hydraulic Hoses Kit	PR	
4655620		2 m 2 Hydraulic Hoses Kit	PR	
4655540		4 m 2 Hydraulic Hoses Kit	PR	
4655545		4,5 m 2 Hydraulic Hoses Kit	PR	
4655550		5 m 2 Hydraulic Hoses Kit	PR	
4655555		5,5 m 2 Hydraulic Hoses Kit	PR	
4655560		6 m 2 Hydraulic Hoses Kit	PR	
4655565		6,5 m 2 Hydraulic Hoses Kit	PR	
4655570		7 m 2 Hydraulic Hoses Kit	PR	
4655575		7,5 m 2 Hydraulic Hoses Kit	PR	
4655580		8 m 2 Hydraulic Hoses Kit	PR	
4655585		8,5 m 2 Hydraulic Hoses Kit	PR	
4655590		9 m 2 Hydraulic Hoses Kit	PR	
4636401		White Thru-Bulkhead for 2 Hoses	PCS	
4636402		Black Thru-Bulkhead for 2 Hoses	PCS	
4636410		Threaded Thru-Bulkhead for 2 Hoses	PCS	
4655530		X72 Steering Wheel Angle Adjustment System	PCS	
4655055		Outboard Dual Connection A94 Tie Bar	PCS	
5705943		1 Lt Ultraflex Hydraulic Oil	PCS	



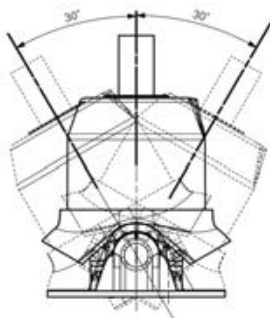
ULTRAFLEX



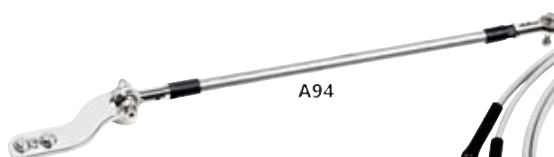
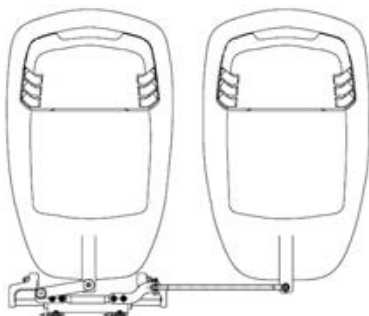
UC130-SVS/1



UC130-SVS/2



X72



A94



CONTROLS STEERINGS/FLAPS TILLERS/BOW THRUSTERS

**Ultraflex UC69-I/UP20F (<8.5 Meters) Hydraulic Steering System**

Ultraflex hydraulic steering system for boats up to 8.5 meters.

Composed of separately sold pieces:

- 1 Pc - UP20F Pump with non-return valve
- 1 Pc - UC69-I Cylinder
- 2 Pr - Fittings for 5/16 hose
- 2 Lts - Hydraulic oil
- 5/16 Hydraulic hose per pack

Code	Ref	UM	€
4655002	UP20F Pump	PCS	
4656649	UC 69-I Cylinder	PCS	
4650010	Pair of Fittings	PR	
5705943	1 Lt Ultraflex Oil	PCS	
535013510	10 m SAE100 R7-5/16 Hydraulic Hose	PCK	
535013515	15 m SAE100 R7-5/16 Hydraulic Hose	PCK	
535013520	20 m SAE100 R7-5/16 Hydraulic Hose	PCK	
535013530	30 m SAE100 R7-5/16 Hydraulic Hose	PCK	



**Ultraflex UC116/UP28 (<9.5 Meters) Hydraulic Steering System**

Ultraflex hydraulic steering system for boats up to 9.5 meters.

Composed of separately sold pieces:

- 1 Pc - UP28 Pump with non-return valve
- 1 Pc - UC116 Cylinder
- 2 Pr - Fittings for 5/16 hose
- 2 Lts - Hydraulic oil
- 5/16 Hydraulic hose per pack

Code	Ref	UM	€
4656601	UP28 Pump	PCS	
4656650	UC116-I Cylinder	PCS	
4650010	Pair of Fittings	PR	
5705943	1 Lt Ultraflex Oil	PCS	
535013510	10 m SAE100 R7-5/16 Hydraulic Hose	PCK	
535013515	15 m SAE100 R7-5/16 Hydraulic Hose	PCK	
535013520	20 m SAE100 R7-5/16 Hydraulic Hose	PCK	
535013530	30 m SAE100 R7-5/16 Hydraulic Hose	PCK	



**Ultraflex UC168/UP33 (<10.5 Meters) Hydraulic Steering System**

Ultraflex hydraulic steering system for boats up to 10.5 meters.

Composed of separately sold pieces:

- 1 Pc - UP33 Pump with non-return valve
- 1 Pc - UC168 Cylinder;
- 2 Pr - Fittings for 5/16 Hose
- 2 Lts - Hydraulic oil
- 5/16 Hydraulic hose per pack

Code	Ref	UM	€
4656602	UP33 Pump	PCS	
4656651	UC168-I Cylinder	PCS	
4650010	Pair of Fittings	PR	
5705943	1 Lt Ultraflex Oil	PCS	
535013510	10 m SAE100 R7-5/16 Hydraulic Hose	PCK	
535013515	15 m SAE100 R7-5/16 Hydraulic Hose	PCK	
535013520	20 m SAE100 R7-5/16 Hydraulic Hose	PCK	
535013530	30 m SAE100 R7-5/16 Hydraulic Hose	PCK	



**Ultraflex UC215/UP39 (<12 Meters) Hydraulic Steering System**

Ultraflex hydraulic steering system for boats up to 12 meters.

Composed of separately sold pieces:

- 1 Pc - UP39 Pump with non-return valve
- 1 Pc - UC215 Cylinder
- 2 Pr - Fittings for 5/16 Hose
- 2 Lts - Hydraulic oil
- 5/16 Hydraulic hose per pack

Code	Ref	UM	€
4656603	UP39 Pump	PCS	
4656652	UC215-I Cylinder	PCS	
4650010	Pair of Fittings	PR	
5705943	1 Lt Ultraflex Oil	PCS	
535013510	10 m SAE100 R7-5/16 Hydraulic Hose	PCK	
535013515	15 m SAE100 R7-5/16 Hydraulic Hose	PCK	
535013520	20 m SAE100 R7-5/16 Hydraulic Hose	PCK	
535013530	30 m SAE100 R7-5/16 Hydraulic Hose	PCK	



**Vetus Hydraulic Steerings MTC30/HTP20 <7 Meters**

Hydraulic steering system for boats up to 7 m.  
 Components and accessories are sold separately:  
 1 Cylinder;  
 1 Standard pump;  
 15 Meters hydraulic hose.

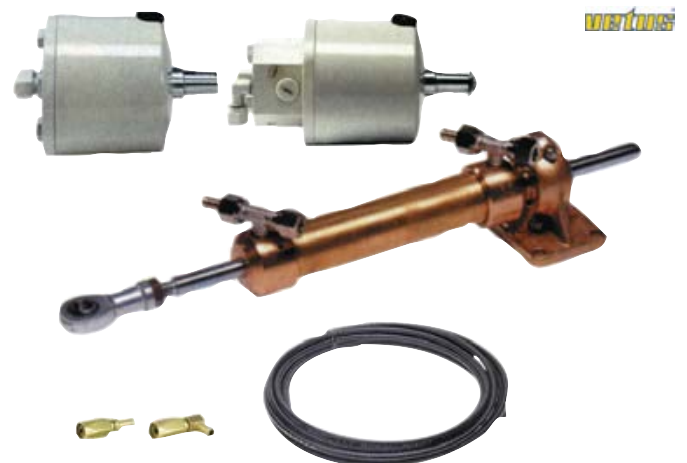
Code	Ref	UM	€
4663067	MTC30 Cylinder	PCS	
4662020	HTP2010 Pump	PCS	
4666209	6x8 mm Nylon Hose 15 Meters	PCK	



**Vetus Hydraulic Steerings MTC52/HTP30 <9 Meters**

Hydraulic steering system for boats up to 9 m.  
 Components and accessories are sold separately:  
 1 Cylinder  
 1 Standard pump or 1 pump with non-return valve  
 4 Reusable straight or curved fittings  
 5/16 Hydraulic hose per pack

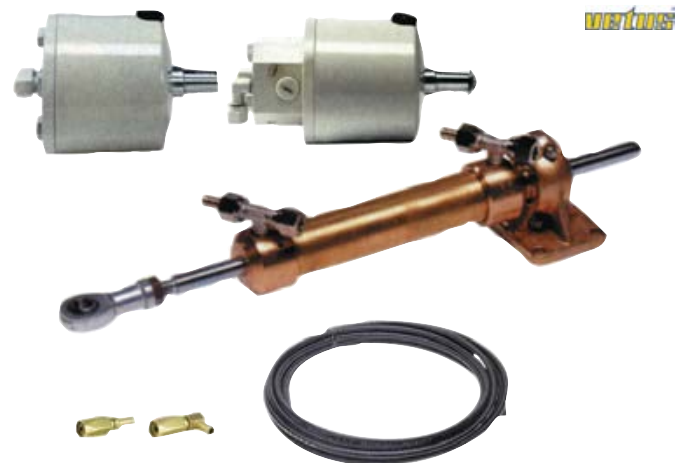
Code	Ref	UM	€
4663104	MTC52 Cylinder	PCS	
4662030	HTP3010 Standard Pump	PCS	
4664030	HTP3010R Pump with non Return Valve	PCS	
4666203	Reusable Straight Fittings for 5/16 Hose	PR	
4666204	Reusable Curved Fittings for 5/16 Hose	PR	
535013510	10 m Hydraulic Hose SAE100 R7-5/16	PCK	
535013515	15 m Hydraulic Hose SAE100 R7-5/16	PCK	
535013520	20 m Hydraulic Hose SAE100 R7-5/16	PCK	
535013530	30 m Hydraulic Hose SAE100 R7-5/16	PCK	



**Vetus Hydraulic Steerings MTC72/HTP30 <11 Meters**

Hydraulic steering system for boats up to 11 m.  
 Components and accessories are sold separately:  
 1 Cylinder  
 1 Standard pump or 1 pump with non-return valve  
 4 Reusable straight or curved fittings  
 5/16 Hydraulic hose per pack

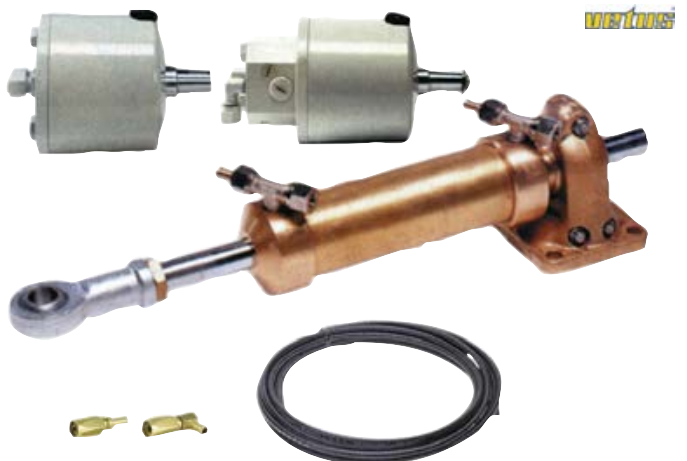
Code	Ref	UM	€
4663146	MTC72 Cylinder	PCS	
4662030	HTP3010 Standard Pump	PCS	
4664030	HTP3010R Pump with non Return Valve	PCS	
4666203	Reusable Straight Fittings for 5/16 Hose	PR	
4666204	Reusable Curved Fittings for 5/16 Hose	PR	
535013510	10 m Hydraulic Hose SAE100 R7-5/16	PCK	
535013515	15 m Hydraulic Hose SAE100 R7-5/16	PCK	
535013520	20 m Hydraulic Hose SAE100 R7-5/16	PCK	
535013530	30 m Hydraulic Hose SAE100 R7-5/16	PCK	



**Vetus Hydraulic Steerings MTC125/HTP42 <13 Meters**

Hydraulic steering system for boats up to 13 m.  
 Components and accessories are sold separately:  
 1 Cylinder  
 1 Standard pump or 1 pump with non-return valve  
 4 Reusable straight or curved fittings  
 5/16 Hydraulic hose per pack

Code	Ref	UM	€
4663253	MTC125 Cylinder	PCS	
4662042	HTP4210 Standard Pump	PCS	
4664042	HTP4210R Pump with non Return Valve	PCS	
4666203	Reusable Straight Fittings for 5/16 Hose	PR	
4666204	Reusable Curved Fittings for 5/16 Hose	PR	
535013510	10 m Hydraulic Hose SAE100 R7-5/16	PCK	
535013515	15 m Hydraulic Hose SAE100 R7-5/16	PCK	
535013520	20 m Hydraulic Hose SAE100 R7-5/16	PCK	
535013530	30 m Hydraulic Hose SAE100 R7-5/16	PCK	



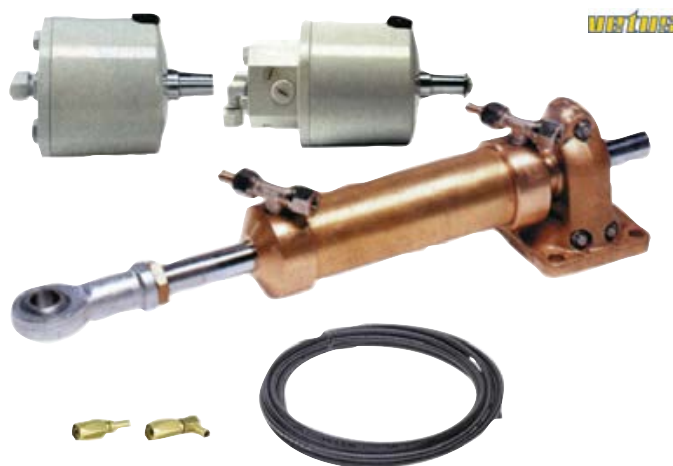
**Vetus Hydraulic Steerings MTC175/HTP42 <15 Meters**

Hydraulic steering system for boats up to 15 m.

Components and accessories are sold separately:

- 1 Cylinder
- 1 Standard pump or 1 pump with non-return valve;
- 4 Reusable straight or curved fittings
- 5/16 Hydraulic hose per pack

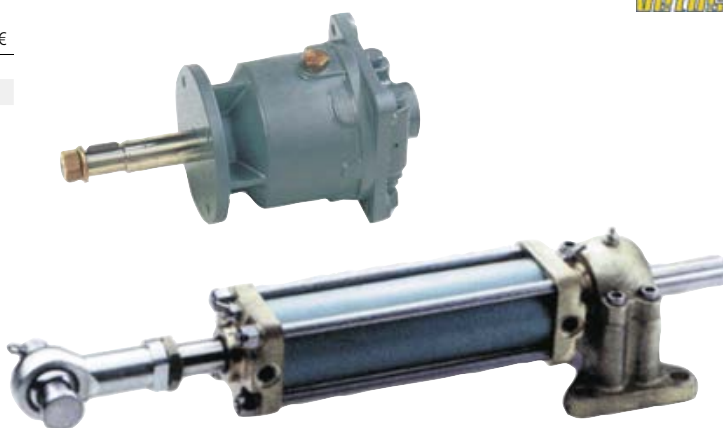
Code	Ref	UM	€
4663356	MTC175 Cylinder	PCS	
4662042	HTP4210 Standard Pump	PCS	
4664042	HTP4210R Pump with non Return Valve	PCS	
4666203	Reusable Straight Fittings for 5/16 Hose	PR	
4666204	Reusable Curved Fittings for 5/16 Hose	PR	
535013510	10 m Hydraulic Hose SAE100 R7-5/16	PCK	
535013515	15 m Hydraulic Hose SAE100 R7-5/16	PCK	
535013520	20 m Hydraulic Hose SAE100 R7-5/16	PCK	
535013530	30 m Hydraulic Hose SAE100 R7-5/16	PCK	



**Professional Hydraulic Steering Systems**

Professional hydraulic steering systems.

Code	Ref	cm <sup>3</sup>	For Boats	Type	UM	€
4663500	MT230	500	Up to 18 Meters	Cylinder	PCS	
4663750	MT345	750	From 18 up to 24 Meters	Cylinder	PCS	
4662089	MTP89	89	From 18 up to 26 Meters	Pump	PCS	



**Vetus Hydraulic Steerings Spare Parts and Accessories**

Spare parts and accessories for Vetus hydraulic steering systems. Non-return valves are used also for dual station. Recess flanges are Stainless Steel and fits old type Vetus pumps. The By-Pass faucet is mounted on hydraulic system to go at the helm.

Code	Ref	For Cylinder/Pump	UM	€
4660001	Double Station Non-Return Valve	For MTC52<=>MTC175 Cylinders	PCS	
4660005	Double Station Non-Return Valve	For MT230<=>MT345 Cylinders	PCS	
4660004	Non-Return Valve with By-Pass	For MT230<=>MT345 Cylinders	PCS	
4660011	By-Pass Faucet	For MTC30 Cylinder	PCS	
4660012	By-Pass Faucet	For MTC52<=>MTC175 Cylinders	PCS	
4660013	By-Pass Faucet	For MTC230<=>MTC345 Cylinders	PCS	
4666209	15 m 6x8 mm Hose	For MTC30 Cylinder	PCK	
535013510	10 m 5/16 Hydraulic Hose	For MTC52<=>MTC175 Cylinders	PCK	
535013515	15 m 5/16 Hydraulic Hose	For MTC52<=>MTC175 Cylinders	PCK	
535013520	20 m 5/16 Hydraulic Hose	For MTC52<=>MTC175 Cylinders	PCK	
535013530	30 m 5/16 Hydraulic Hose	For MTC52<=>MTC175 Cylinders	PCK	
4666203	Reusable Straight Fittings for 5/16 Hose	For MTC52<=>MTC175 Cylinders	PR	
4666204	Reusable Curved Fittings for 5/16 Hose	For MTC52<=>MTC175 Cylinders	PR	
4662016	Recess Flange (38 mm)	For HTP Pumps	PCS	
4662017	Recess Flange (74 mm)	For HTP Pumps	PCS	

**New**



**Steering System Oil**

Steering system oil.

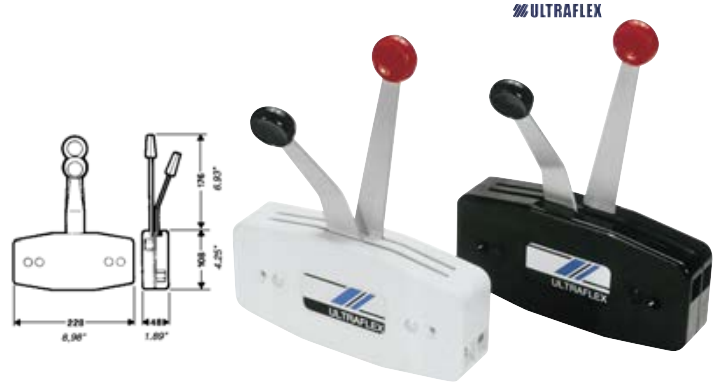
Code	Ref	Lt	UM	€
5705941	Red Fluid	1	PCS	



**B47 / B49 Twin-Lever Control**

Wall mount twin lever control for throttle or shift control for outboard engines. Uses C2 / C8 / C7 / MACHZero cables with K25 connection kit, C14 cable with K23 connection kit and C5 cable without connection kit.

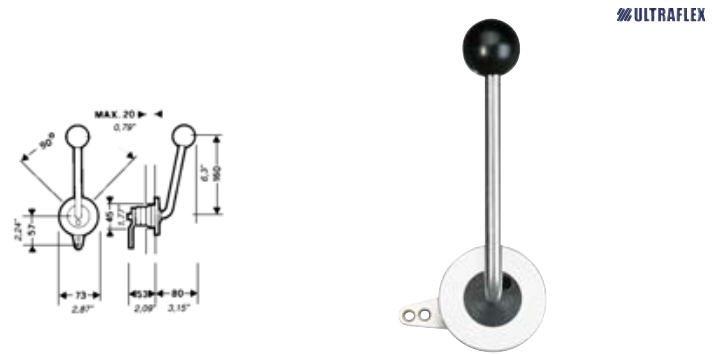
Code	Ref	Colour	UM	€
<b>4600002</b>	B47	WHITE	PCS	
<b>4600012</b>	B49	BLACK	PCS	



**B35 Single-Lever Control**

Stainless Steel wall mount single lever control for throttle or shift control. Uses C2 / C8 / C33 / MACHZero cables.

Code	UM	€
<b>4603000</b>	PCS	



**Single-Lever Chrome Control**

Chromed Brass wall mount single lever control for throttle or shift control. Uses C2 / C8 / C33 / MACHZero cables.

Code	UM	€
<b>4603001</b>	PCS	



**Twin-Lever Chrome Control**

Chromed Brass wall mount twin lever control for throttle or shift control. Uses C2 / C8 / C33 / MACHZero cables. 270 mm total H, 50 mm flush depth.

Code	UM	€
<b>4603002</b>	PCS	



**B14 Shut-Off Control**

B14 Shut-off control cable with knob, sheath and clamp.

Code	Ft	m	UM	€	Code	Ft	m	UM	€	Code	Ft	m	UM	€
<b>4611407</b>	7'	2.14	PCS		<b>4611419</b>	19'	5.80	PCS		<b>4611434</b>	34'	10.37	PCS	
<b>4611408</b>	8'	2.44	PCS		<b>4611420</b>	20'	6.10	PCS		<b>4611436</b>	36'	10.98	PCS	
<b>4611409</b>	9'	2.75	PCS		<b>4611422</b>	22'	6.72	PCS		<b>4611440</b>	40'	12.20	PCS	
<b>4611410</b>	10'	3.05	PCS		<b>4611424</b>	24'	7.33	PCS						
<b>4611411</b>	11'	3.36	PCS		<b>4611426</b>	26'	7.93	PCS						
<b>4611412</b>	12'	3.66	PCS		<b>4611428</b>	28'	8.54	PCS						
<b>4611413</b>	13'	3.97	PCS		<b>4611430</b>	30'	9.15	PCS						
<b>4611414</b>	14'	4.27	PCS		<b>4611432</b>	32'	9.76	PCS						
<b>4611415</b>	15'	4.59	PCS											
<b>4611416</b>	16'	4.88	PCS											
<b>4611417</b>	17'	5.19	PCS											
<b>4611418</b>	18'	5.49	PCS											



CONTROLS STEERING/FLAPS TILLERS/BOW THRUSTERS

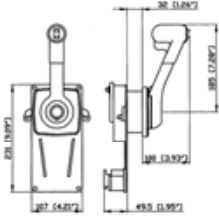
10



**B183 Single-Lever Control**

Double action wall mount single lever control for throttle and shift control for inboard, outboard and stern drive engines. Uses C2 / C8 / C33 / MACHZero control cables. C5 cable can be connected with K35 kit (4620035). With optional safety switch X12 (4620112) engine can be started only with disengaged gearbox.

Code	Ref	UM	€
4601201	B183	PCS	

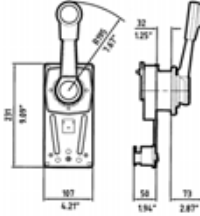


ULTRAFLEX

**Sail B85 Single-Lever Control**

Double action wall mount single lever control for throttle and shift control for inboard engines. Perfect for sail boats thanks to the smooth lever. Uses C2 / C8 / C33 / MACHZero control cables. With the optional safety switch X12 (4620112) the engine can be started only with disengaged gearbox.

Code	Ref	UM	€
4601401	B85	PCS	

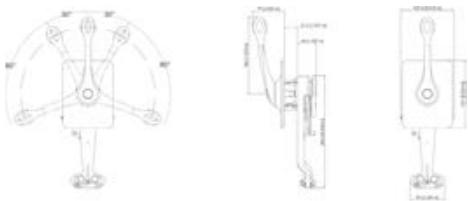


ULTRAFLEX

**B400 S/Steel Single-Lever Control**

Double action wall mount single lever S/Steel control for throttle and shift control for inboard engines. Perfect for sail boats thanks to the smooth lever. Uses C2 / C8 / C33 / MACHZero control cables. With the optional safety switch X41 (4620141) the engine can be started only with disengaged gearbox.

Code	Ref	UM	€
4601402	B400	PCS	

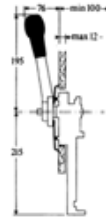


ULTRAFLEX

**Teleflex 700SS Single-Lever Control**

Double action wall mount single lever control for throttle and shift control for inboard engines. Standard equipped on Volvo and Vetus engines. Uses C2 / C8 / C33 / MACHZero control cables.

Code	Ref	UM	€
4601404	700SS	PCS	

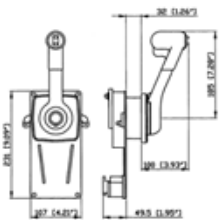


Teleflex

**B184-Trim Single-Lever Control**

Double action wall mount single lever control for throttle and shift control for inboard, outboard and stern drive engines. Uses C2 / C8 / C33 / MACHZero control cables. C5 cable can be connected with K35 kit (4620035). With the optional safety switch X12 (4620112) the engine can be started only with disengaged gearbox.

Code	Ref	UM	€
4601301	B184-Trim	PCS	

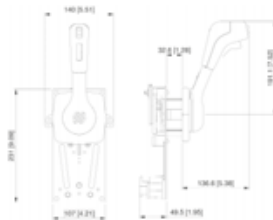


ULTRAFLEX

**B310B-Trim Single-Lever Control**

Double action wall mount single lever control for throttle, shift and trim control for outboard engines and stern drives. Uses C2 / C8 / C33 / MACHZero control cables. C5 cable can be connected with K35 kit (4620035). With the optional safety switch X12 (4620112) the engine can be started only with disengaged gearbox.

Code	Ref	UM	€
4601302	B310B-Trim	PCS	



ULTRAFLEX

**B110-Trim Single-Lever Control**

Double action wall mount single lever control for throttle and shift control for inboard, outboard and stern drive engines. Uses C2 / C8 / MACHZero control cables. C5/MACH5 cables can be connected with K74 kit (4620040). C36 cables can be connected with K75 kit (4620041). C14/MACH14 cables can be connected with K76 kit (4620042). With the optional safety switch X41 (4620141) the engine can be started only with disengaged gearbox.

Code	Ref	Colour	Accessories	UM	€
4601303	B110B	BLACK		PCS	
4601304	B110W	WHITE		PCS	
4620040			K74 Kit	PCK	
4620041			K75 Kit	PCK	
4620042			K76 Kit	PCK	



ULTRAFLEX

**B89 / B90 Single-Lever Control**

Double action external wall mount single lever control for throttle and shift control for outboard and inboard engines. Uses C2 / C8 / C33 / MACHZero control cables. C5 cable can be connected with K35 kit (4620035). With the optional safety switch X12 (4620112) the engine can be started only with disengaged gearbox.

Code	Ref	Colour	UM	€
4601001	B89	WHITE	PCS	
4601011	B90	BLACK	PCS	



ULTRAFLEX

**Top Chrome Single-Lever Control**

Chromed Brass top mount single-function single-lever control with 1 cable for throttle or shift control. Uses C2 / C8 / C33 / MACHZero cables.

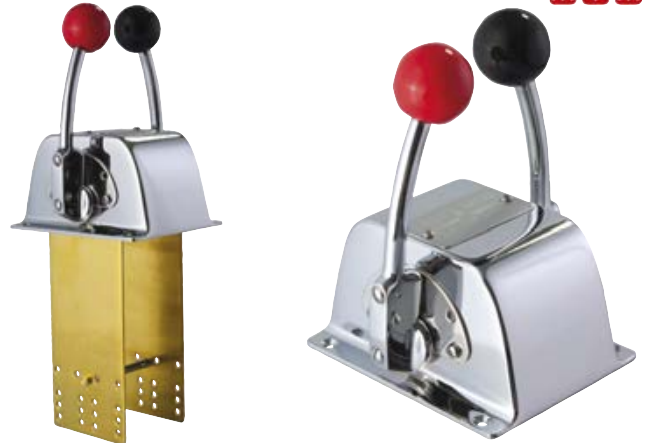
Code	UM	€
4605061	PCS	



**Top Chrome Twin-Lever Control**

Chromed Brass top mount twin-lever single-function control with 2 cables for throttle or shift control. Uses C2 / C8 / C33 / MACHZero cables.

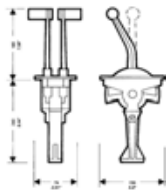
Code	UM	€
4605062	PCS	



**B58 / B59 Flush Mount Control**

Flushed top mount twin lever control for throttle and shift control. Uses C2 / C8 / C33 / MACHZero cables. With the optional safety switch X12 (4620112) the engine can be started only with gearbox disengaged.

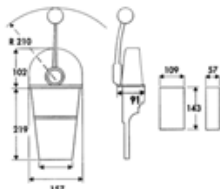
Code	Ref	Lever	UM	€
4605058	B58	Curved	PCS	
4605059	B59	Straight	PCS	



**Top Mount Morse MT3 Control**

Throttle and shift double action control for inboard and stern drive engines. Chromed Stainless alloy lever and body, top mount. Uses C2 / C8 / C33 / MACHZero control cables.

Code	Lever	UM	€
4610107	Single	PCS	
4610108	Double	PCS	





**B501 Chrome Top Mount Control**

Double action control for inboard, outboard and stern drive engines throttle and shift control. Available with or without trim. Uses directly C14 / MACH14 cables or C2 / C8 / MACHZero cables with included K59 kit. C5 / C16 / MACH5 cables can be connected with K60 kit. C22 cable can be connected with K61 kit. C36 / MACH36 cables can be connected with K62 kit. With optional X12 safety switch (4620112) engine can be started only with disengaged gearbox.

Code	Lever	Trim	UM	€
4610082	Single	No	PCS	
4610083	Single	Yes	PCS	
4610092	Double	No	PCS	
4610093	Double	Yes	PCS	

ULTRAFLEX



**B501 Black Top Mount Control**

Double action control for inboard, outboard and stern drive engines throttle and shift control. Available with or without trim. Uses directly C14 / MACH14 cables or C2 / C8 / MACHZero cables with included K59 kit. C5 / C16 / MACH5 cables can be connected with K60 kit. C22 cable can be connected with K61 kit. C36 / MACH36 cables can be connected with K62 kit. With optional X12 safety switch (4620112) engine can be started only with disengaged gearbox.

Code	Lever	Trim	UM	€
4610080	Single	No	PCS	
4610081	Single	Yes	PCS	
4610090	Double	No	PCS	
4610091	Double	Yes	PCS	

ULTRAFLEX



**Top Mount B103/B104 Control**

Throttle and shift double action control for inboard and stern drive engines. Chromed Stainless alloy lever and body, top mount. Uses C2 / C8 / C33 / MACHZero control cables. With optional X43 safety switch (4620143) engine can be started only with disengaged gearbox.

Code	Ref	Lever	UM	€
4610103	B103	Single	PCS	
4610104	B104	Double	PCS	

ULTRAFLEX



**Top Mount B301CR/B302CR Control**

Throttle and shift double action control for inboard and stern drive engines. Chromed Stainless alloy lever and body, top mount. Uses C2 / C8 / C33 / MACHZero control cables. With optional safety switch X43 (4620143) engine can be started only with disengaged gearbox.

Code	Ref	Lever	UM	€
4610111	B301CR	Single	PCS	
4610112	B302CR	Double	PCS	

ULTRAFLEX



**K25 Connection Kit**

Connection kit for C2 / C7 / C8 /MACHZero cables on B47 / B49 controls.

Code	UM	€
<b>4620025</b>	PCK	



#ULTRAFLEX

**K23 Connection Kit**

Connection kit for C14 cables on B47 / B49 controls.

Code	UM	€
<b>4620023</b>	PCK	



#ULTRAFLEX

**K35 Connection Kit**

Connection kit for C5 / C16 / MACH5 cables on single lever controls, B301 / B302 / B103 / B104 excluded.

Code	UM	€
<b>4620035</b>	PCK	



#ULTRAFLEX

**C22 Cables Connection Kit**

Connection kit for C22 cables on lever controls.

K61: for controls B301 / B302 / B201

K22: for controls B58 / B59 / B46 / B50 / B204 / B208 / B322 / B324

Code	Ref	UM	€
<b>4620021</b>	K61	PCK	
<b>4620022</b>	K22	PCK	



#ULTRAFLEX

**K56 Mercury/Mercruiser Connection Kit**

Connection kit for C2 / MACHZero / C8 cables on Mercury/Mercruiser engines.

Code	UM	€
<b>4622056</b>	PCK	



#ULTRAFLEX

**K57 Johnson/Evinrude Connection Kit**

Connection kit for C2 / MACHZero / C8 cables on Johnson/Evinrude engines.

Code	UM	€
<b>4622057</b>	PCK	



#ULTRAFLEX

**X12 Safety Kit**

Safety kit for single and twin lever controls. Allows engine starting only with disengaged gear.

Code	UM	€
<b>4620112</b>	PCS	



#ULTRAFLEX

**X41 Safety Kit**

Safety kit for B400 single lever control. Allows engine starting only with disengaged gear.

Code	UM	€
<b>4620141</b>	PCS	



#ULTRAFLEX

**X43 Safety Kit**

Safety kit for B103 / B104 controls. Allows engine starting only with disengaged gear.

Code	UM	€
<b>4620143</b>	PCS	



#ULTRAFLEX

**L25 Connection Clevis**

Connection clevis for C2 / MACHZero / C8 / C33 engine control cables.

Code	UM	€
<b>4622025</b>	PCS	



ULTRAFLEX

**L26 Connection Clevis**

Connection clevis for C22 engine control cables.

Code	UM	€
<b>4622026</b>	PCS	



ULTRAFLEX

**L7 End Ball Joint**

End ball joint for C2 / MACHZero / C8 engine control cables.

Code	UM	€
<b>4622007</b>	PCS	



ULTRAFLEX

**L12 Cable End**

Cable end for C2 / MACHZero / C8 / C33 engine control cables.

Code	UM	€
<b>4622012</b>	PCS	



ULTRAFLEX

**L13 Cable End**

Clamp cable end for B14 engine shut-off cable.

Code	UM	€
<b>4622013</b>	PCS	



ULTRAFLEX

**L2 Clamp Clevis**

Clamp clevis for engine control cables.

Code	UM	€
<b>4622002</b>	PCS	



ULTRAFLEX

**L14 Clamp Clevis**

Clamp clevis for engine control cables.

Code	UM	€
<b>4622014</b>	PCS	



ULTRAFLEX

**L3 Clamp Clevis**

Clamp clevis for engine control cables.

Code	UM	€
<b>4622003</b>	PCS	



ULTRAFLEX

**L23 Double Station Selector**

Double station single lever controls selector.

Code	UM	€
<b>4622023</b>	PCS	



ULTRAFLEX

**C2 Remote Control Cables**

Universal remote control cables for all inboard engines and sterndrives. For Yamaha/Suzuki/Honda/Tohatsu/Selva outboards use appropriate connection kits.

ULTRAFLEX

Code	Feet	m	UM	€	Code	Feet	m	UM	€
4610205	5'	1.53	PCS		4610216	16'	4.88	PCS	
4610206	6'	1.83	PCS		4610217	17'	5.19	PCS	
4610207	7'	2.14	PCS		4610218	18'	5.49	PCS	
4610208	8'	2.44	PCS		4610219	19'	5.80	PCS	
4610209	9'	2.75	PCS		4610220	20'	6.10	PCS	
4610210	10'	3.05	PCS		4610222	22'	6.72	PCS	
4610211	11'	3.36	PCS		4610224	24'	7.33	PCS	
4610212	12'	3.66	PCS						
4610213	13'	3.97	PCS						
4610214	14'	4.27	PCS						
4610215	15'	4.59	PCS						

**MACHZero Remote Control Cables**

Universal remote control cables for all inboard engines and sterndrives. To be mounted when high flexibility and efficiency is required. For Yamaha/Suzuki/Honda/Tohatsu/Selva outboards use appropriate connection kits.

ULTRAFLEX

Code	Feet	m	UM	€	Code	Feet	m	UM	€	Code	Feet	m	UM	€
4610008	8'	2.44	PCS		4610019	19'	5.80	PCS		4610032	32'	9.76	PCS	
4610009	9'	2.75	PCS		4610020	20'	6.10	PCS		4610034	34'	10.37	PCS	
4610010	10'	3.05	PCS		4610022	22'	6.72	PCS		4610036	36'	10.98	PCS	
4610011	11'	3.36	PCS		4610024	24'	7.33	PCS		4610040	40'	12.20	PCS	
4610012	12'	3.66	PCS		4610026	26'	7.93	PCS						
4610013	13'	3.97	PCS		4610028	28'	8.54	PCS						
4610014	14'	4.27	PCS		4610030	30'	9.15	PCS						
4610015	15'	4.59	PCS											
4610016	16'	4.88	PCS											
4610017	17'	5.19	PCS											
4610018	18'	5.49	PCS											

**C8 Remote Control Cables**

Heavy duty universal remote control cables for all inboard engines and stern drives. For Yamaha/Suzuki/Honda/Tohatsu/Selva outboards use appropriate connection kits.

ULTRAFLEX

Code	Feet	m	UM	€	Code	Feet	m	UM	€	Code	Feet	m	UM	€
4610808	8'	2.44	PCS		4610819	19'	5.80	PCS		4610832	32'	9.76	PCS	
4610809	9'	2.75	PCS		4610820	20'	6.10	PCS		4610834	34'	10.37	PCS	
4610810	10'	3.05	PCS		4610822	22'	6.72	PCS		4610836	36'	10.98	PCS	
4610811	11'	3.36	PCS		4610824	24'	7.33	PCS		4610840	40'	12.20	PCS	
4610812	12'	3.66	PCS		4610826	26'	7.93	PCS						
4610813	13'	3.97	PCS		4610828	28'	8.54	PCS						
4610814	14'	4.27	PCS		4610830	30'	9.15	PCS						
4610815	15'	4.59	PCS											
4610816	16'	4.88	PCS											
4610817	17'	5.19	PCS											
4610818	18'	5.49	PCS											

**C22 Remote Control Cables**

Heavy-duty professional remote control cables for inboard engines.

ULTRAFLEX

Code	Feet	m	UM	€	Code	Feet	m	UM	€
4612210	10'	3.05	PCS		4612232	32'	9.76	PCS	
4612212	12'	3.66	PCS		4612234	34'	10.37	PCS	
4612214	14'	4.27	PCS		4612236	36'	10.98	PCS	
4612216	16'	4.88	PCS		4612240	40'	12.20	PCS	
4612218	18'	5.49	PCS						
4612220	20'	6.10	PCS						
4612222	22'	6.72	PCS						
4612224	24'	7.33	PCS						
4612226	26'	7.93	PCS						
4612228	28'	8.54	PCS						
4612230	30'	9.15	PCS						

**C33 Remote Control Cables**

Heavy duty universal remote control cable for all inboard engines and stern drives. For Yamaha/Suzuki/Honda/Tohatsu/Selva outboards use appropriate connection kit.

Teleflex

Code	Feet	m	UM	€
4613309	9'	2.75	PCS	
4613312	12'	3.66	PCS	
4613316	16'	4.88	PCS	
4613319	19'	5.80	PCS	
4613324	24'	7.33	PCS	
4613328	28'	8.54	PCS	
4613330	30'	9.15	PCS	
4613332	32'	9.76	PCS	
4613334	34'	10.37	PCS	
4613336	36'	10.98	PCS	
4613340	40'	12.20	PCS	



**C5 Remote Control Cables**

Remote control cables for Mercury/Mercuriser outboard and stern drives engines.

ULTRAFLEX

Code	Feet	m	UM	€	Code	Feet	m	UM	€
4610505	5	1.53	PCS		4610516	16	4.88	PCS	
4610506	6	1.83	PCS		4610517	17	5.19	PCS	
4610507	7	2.14	PCS		4610518	18	5.49	PCS	
4610508	8	2.44	PCS		4610519	19	5.80	PCS	
4610509	9	2.75	PCS		4610520	20	6.10	PCS	
4610510	10	3.05	PCS		4610522	22	6.72	PCS	
4610511	11	3.36	PCS		4610524	24	7.33	PCS	
4610512	12	3.66	PCS						
4610513	13	3.97	PCS						
4610514	14	4.27	PCS						
4610515	15	4.59	PCS						

**MACH5 Remote Control Cables**

Easy movement high flexibility remote control cables with Stainless Steel terminals. Abrasion, UV rays and chemical resistant sheath. 95 mm stroke. For Mercury and Mariner (&gt;50HP) outboards and Mercuriser stern drives.

ULTRAFLEX

Code	Feet	m	UM	€	Code	Feet	m	UM	€	Code	Feet	m	UM	€
4611505	5	1.53	PCS		4611516	16	4.88	PCS		4611526	26	7.93	PCS	
4611506	6	1.83	PCS		4611517	17	5.19	PCS		4611528	28	8.54	PCS	
4611507	7	2.14	PCS		4611518	18	5.49	PCS						
4611508	8	2.44	PCS		4611519	19	5.80	PCS						
4611509	9	2.75	PCS		4611520	20	6.10	PCS						
4611510	10	3.05	PCS		4611522	22	6.72	PCS						
4611511	11	3.36	PCS		4611524	24	7.33	PCS						
4611512	12	3.66	PCS											
4611513	13	3.97	PCS											
4611514	14	4.27	PCS											
4611515	15	4.59	PCS											

**C36 New Gen Remote Control Cables**

Remote control cables for Mercury/Mercuriser outboard and stern drive engines with Mercury Generation II new series lever controls.

ULTRAFLEX

Code	Feet	m	UM	€	Code	Feet	m	UM	€	Code	Feet	m	UM	€
4613605	5	1.53	PCS		4613616	16	4.88	PCS		4613626	26	7.93	PCS	
4613606	6	1.83	PCS		4613617	17	5.19	PCS						
4613607	7	2.14	PCS		4613618	18	5.49	PCS						
4613608	8	2.44	PCS		4613619	19	5.80	PCS						
4613609	9	2.75	PCS		4613620	20	6.10	PCS						
4613610	10	3.05	PCS		4613622	22	6.72	PCS						
4613611	11	3.36	PCS		4613624	24	7.33	PCS						
4613612	12	3.66	PCS											
4613613	13	3.97	PCS											
4613614	14	4.27	PCS											
4613615	15	4.59	PCS											

**C14 Remote Control Cables**

Remote control cables for Johnson/Evinrude outboards.

ULTRAFLEX

Code	Feet	m	UM	€	Code	Feet	m	UM	€
4610405	5	1.53	PCS		4610416	16	4.88	PCS	
4610406	6	1.83	PCS		4610417	17	5.19	PCS	
4610407	7	2.14	PCS		4610418	18	5.49	PCS	
4610408	8	2.44	PCS		4610419	19	5.80	PCS	
4610409	9	2.75	PCS		4610420	20	6.10	PCS	
4610410	10	3.05	PCS		4610422	22	6.72	PCS	
4610411	11	3.36	PCS		4610424	24	7.33	PCS	
4610412	12	3.66	PCS						
4610413	13	3.97	PCS						
4610414	14	4.27	PCS						
4610415	15	4.59	PCS						

**MACH14 Remote Control Cables**

Easy movement high flexibility remote control cables with Stainless Steel terminals. Abrasion, UV rays and chemical resistant sheath. 95 mm stroke. For Johnson/Evinrude/BRP (&gt;1979) outboards and OMC/BRP (&gt;1979) stern drives.

ULTRAFLEX

Code	Feet	m	UM	€	Code	Feet	m	UM	€	Code	Feet	m	UM	€
4612405	5	1.53	PCS		4612416	16	4.88	PCS		4612426	26	7.93	PCS	
4612406	6	1.83	PCS		4612417	17	5.19	PCS		4612428	28	8.54	PCS	
4612407	7	2.14	PCS		4612418	18	5.49	PCS						
4612408	8	2.44	PCS		4612419	19	5.80	PCS						
4612409	9	2.75	PCS		4612420	20	6.10	PCS						
4612410	10	3.05	PCS		4612422	22	6.72	PCS						
4612411	11	3.36	PCS		4612424	24	7.33	PCS						
4612412	12	3.66	PCS											
4612413	13	3.97	PCS											
4612414	14	4.27	PCS											
4612415	15	4.59	PCS											



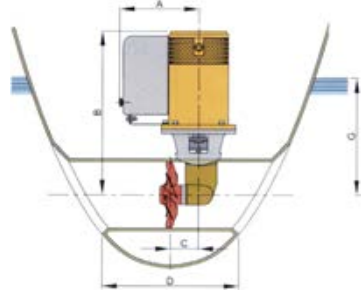
**Vetus Bow Propeller 25/35/45/55**

Vetus Bow Thrusters.



A: displacement crafts  
B: planing crafts

Code	Bow Thruster	V	A mm	B mm	C mm	D mm	G	A Type Crafts	B Type Crafts	UM	€
4730023	Vetus 25 Kgf	12	138	297	73	220<->240	>110	<6 m	<8,5 m	PCS	
4730035	Vetus 35 Kgf	12	138	314	79	300<->600	>150	<6,5 m	<10 m	PCS	
4730045	Vetus 45 Kgf	12	143	364	79	250<->500	>125	<7,5 m	<11,5 m	PCS	
4730050	Vetus 55 Kgf	12	143	377	79	300<->600	>150	<8,5 m	<12,5 m	PCS	
4730054	Vetus 55 Kgf	24	143	377	79	300<->600	>150	<8,5 m	<12,5 m	PCS	



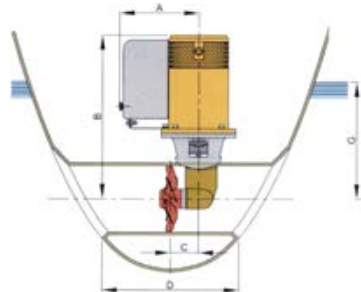
**Vetus Bow Propeller 60/75/95**

Vetus Bow Thrusters.



A: displacement crafts  
B: planing crafts

Code	Bow Thruster	V	A mm	B mm	C mm	D mm	G	A Type Crafts	B Type Crafts	UM	€
4730060	Vetus 60 Kgf	12	143	397	77	370<->740	>185	<9 m	<13 m	PCS	
4730061	Vetus 60 Kgf	24	143	397	77	370<->740	>185	<9 m	<13 m	PCS	
4730080	Vetus 75 Kgf	12	155	435	77	370<->740	>185	<11 m	<15 m	PCS	
4730084	Vetus 75 Kgf	24	155	435	77	370<->740	>185	<11 m	<15 m	PCS	
4730095	Vetus 95 Kgf	12	209	443	77	370<->740	>185	<12 m	<17 m	PCS	
4730098	Vetus 95 Kgf	24	209	443	77	370<->740	>185	<12 m	<17 m	PCS	



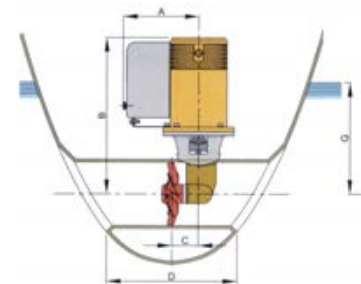
**Vetus Bow Propeller 125/160**

Vetus Bow Thrusters.



A: displacement crafts  
B: planing crafts

Code	Bow Thruster	V	A mm	B mm	C mm	D mm	G	A Type Crafts	B Type Crafts	UM	€
4730102	Vetus 125 Kgf	12	209	500	108	500<->1000	>250	<15 m	<19 m	PCS	
4730104	Vetus 125 Kgf	24	209	500	108	500<->1000	>250	<15 m	<19 m	PCS	
4730106	Vetus 160 Kgf	24	222	548	108	500<->1000	>250	<17,5 m	<21 m	PCS	



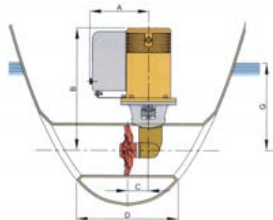
**Vetus Bow Propeller 25 Kit**

Vetus 25 Kgf thrust force Bow Thruster Kit. For up to 6 meters displacement crafts and up to 8.5 meters planing crafts.

Contains:

- engine with propeller;
- L75 cm dia 110 mm bow tunnel;
- BPSE2 touch control panel;
- 6 m electric wiring;
- 125A fuse and fuse holder.

Code	V	A mm	B mm	C mm	D mm	G	UM	€
<b>4730024</b>	12	138	297	73	220<->440	>110	PCK	



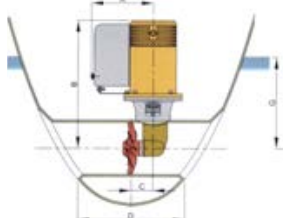
**Vetus Bow Propeller 35 Kit**

Vetus 35 Kgf thrust force Bow Thruster Kit. For up to 6.5 meters displacement crafts and up to 10 meters planing crafts.

Contains:

- engine with propeller;
- L75 cm dia 150 mm bow tunnel;
- BPSE2 touch control panel;
- 6 m electric wiring;
- 160A fuse and fuse holder.

Code	V	A mm	B mm	C mm	D mm	G	UM	€
<b>4730036</b>	12	138	314	79	300<->600	>150	PCK	



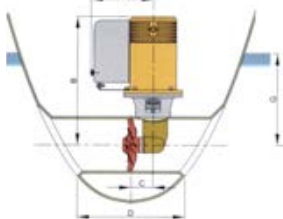
**Vetus Bow Propeller 45 Kit**

Vetus 45 Kgf thrust force Bow Thruster Kit. For up to 7.5 meters displacement crafts and up to 11.5 meters planing crafts.

Contains:

- engine with propeller;
- L100 cm dia 125 mm bow tunnel;
- BPSE2 touch control panel;
- 6 m electric wiring;
- 250A fuse and fuse holder.

Code	V	A mm	B mm	C mm	D mm	G	UM	€
<b>4730046</b>	12	143	364	79	250<->500	>125	PCK	



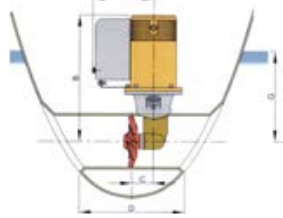
**Vetus Bow Propeller 55 Kit**

Vetus 55 Kgf thrust force Bow Thruster Kit. For up to 8.5 meters displacement crafts and up to 12.5 meters planing crafts.

Contains:

- engine with propeller
- L100 cm dia 150 mm bow tunnel
- BPJE2 joystick control panel
- 6 m electric wiring
- 250A/12V fuse or 125A/24V fuse with fuse holder.

Code	V	A mm	B mm	C mm	D mm	G	UM	€
<b>4730053</b>	12	143	377	79	300<->600	>150	PCK	



**Single Control Panels**

IP66 Waterproof single control panels.

BPJE2: endowed with joystick, temporizer and visual alarm.

BPSE2: touch switch to avoid ropes and lines getting tangled on sailboats.

Dimensions: 85 x 85 mm.

Code	Ref	Accessories	UM	€
4730201	BPJE2 Joystick Panel		PCS	
4730203	BPSE2 Touch Panel		PCS	
4730066		6 m Electric Wiring	PCS	
4730070		10 m Electric Wiring	PCS	
4730076		16 m Electric Wiring	PCS	
4730078		20 m Electric Wiring	PCS	



**Dual Control Panels**

IP65 Waterproof dual control panels.

BPDJE2: endowed with twin joystick, temporizer and visual alarm.

EZDOCK2: flat button to avoid ropes and lines getting tangled on sailboats.

Dimensions: 85 x 138 mm.

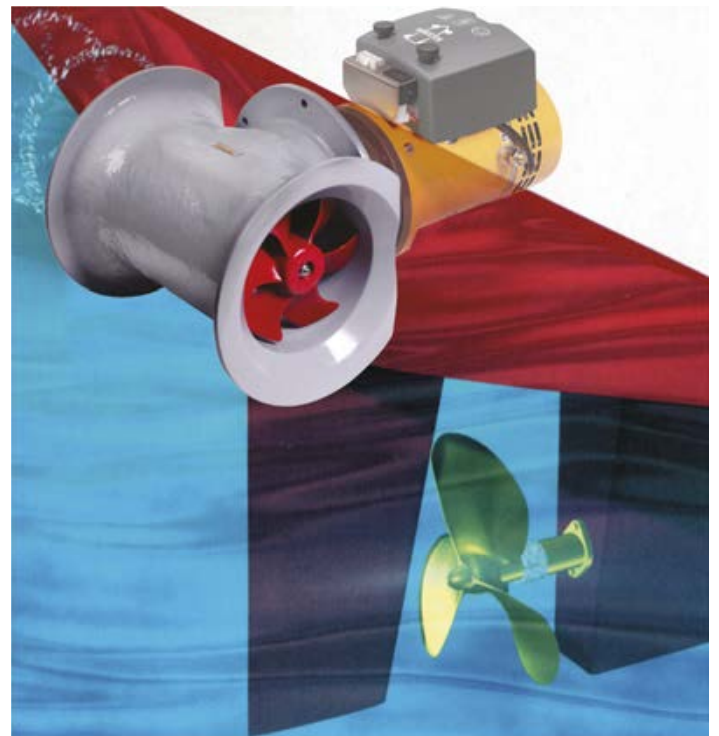
Code	Ref	Accessories	UM	€
4730058	EZDOCK2 Button Panel		PCS	
4730202	BPDJE2 Joystick Panel		PCS	
4730066		6 m Electric Wiring	PCS	
4730070		10 m Electric Wiring	PCS	
4730076		16 m Electric Wiring	PCS	
4730078		20 m Electric Wiring	PCS	



**Stern Tunnels**

Reinforced Fiberglass tunnel for stern mount of Bow Propeller Vetus (not included).

Code	For Bow Prop	Stern Tunnel ø mm	UM	€
4730125	Vetus 25	110	PCK	
4730155	Vetus 35/55	150	PCK	
4730195	Vetus 60/75/95	185	PCK	
4730196	Vetus 125/160	250	PCK	

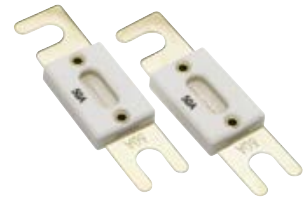
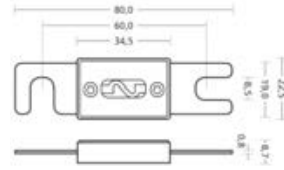




**Spare Fuses**

Spare fuses for Vetus Bow Propellers (Bow Thrusters).

Code	For Bow Thruster	A	UM	€
2167245	Vetus 25	125	PCS	
2167246	Vetus 35	150	PCS	
2167249	Vetus 45/55	250	PCS	
2167248	Vetus 60	200	PCS	
2167251	Vetus 75	350	PCS	
2167252	Vetus 95	400	PCS	
2167253	Vetus 125/160	500	PCS	



**Spare Propellers**

Spare propellers for Bow Propellers (Bow Thrusters) Vetus.

Code	For Bow Thruster	UM	€
4730250	Vetus 25	PCS	
4730253	Vetus 35	PCS	
4730255	Vetus 45	PCS	
4730253	Vetus 55	PCS	
4730260	Vetus 60/75/95	PCS	
4730272	Vetus 125/160	PCS	



**Bow Tunnels**

Fiberglass bow tunnels used to mount Bow Propellers (Bow Thrusters).

Code	For Bow Thruster	L cm	Bow Tunnel ø mm	UM	€
473002507	Vetus 25	75	110	PCS	
473002510	Vetus 25	100	110	PCS	
473002707	Vetus 45	75	125	PCS	
473002710	Vetus 45	100	125	PCS	
473005107	Vetus 35/55	75	150	PCS	
473005110	Vetus 35/55	100	150	PCS	
473005115	Vetus 35/55	150	150	PCS	
473005507	Vetus 60/75/95	75	185	PCS	
473005510	Vetus 60/75/95	100	185	PCS	
473005515	Vetus 60/75/95	150	185	PCS	
473010510	Vetus 125/160	100	250	PCS	
473010515	Vetus 125/160	150	250	PCS	
473010520	Vetus 125/160	200	250	PCS	



**Bow Thruster Protection**

Pair of AISI 316 Stainless Steel bow thruster protections. They can be easily mounted inside the propeller tunnel, without holes or cuts, by extending the steel arms through a mechanism activated simply by a screw. Safe and long lasting, they protect the bow thrusters from plastic objects, debris and foreign bodies in the water. Applicable only for tunnels with diameter 185 mm.

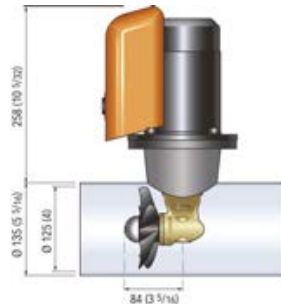
Code	Dim mm	UM	€
4739000	ø 185 x H80	PCK	



**Quick BTQ125 Bow Propeller**

Quick BTQ125 Bow Thruster with carter protection made of sturdy composite material, Bronze gearbox and easy replaceable independent zinc anode. Equipped with elastic coupling.

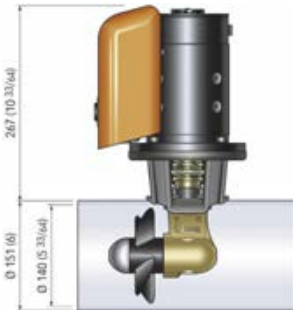
Code	Bow Thruster	V	Thrust Kgf	Power Kw	For Boat m	UM	€
4735030	BTQ 125-30	12	30	1,5	7<>8	PCS	



**Quick BTQ140 Bow Propeller**

Quick BTQ140 Bow Thruster with carter protection made of sturdy composite material, Bronze gearbox and easy replaceable independent zinc anode. Equipped with elastic coupling.

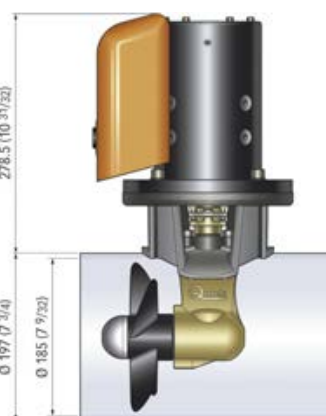
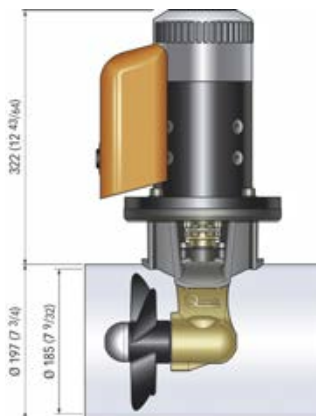
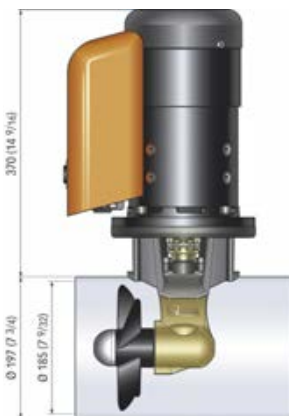
Code	Bow Thruster	V	Thrust Kgf	Power Kw	For Boat m	UM	€
4735035	BTQ 140-30	12	30	1,5	6<>7	PCS	
4735045	BTQ 140-40	12	40	2,2	7<>9	PCS	



**Quick BTQ185 Bow Propeller**

Quick BTQ185 Bow Thruster with carter protection made of sturdy composite material, Bronze gearbox and easy replaceable independent zinc anode. Equipped with elastic coupling.

Code	Bow Thruster	V	Thrust Kgf	Power Kw	For Boat m	UM	€
4735055	BTQ 185-55	12	55	3	8<>11	PCS	
4735056	BTQ 185-55	24	55	3	8<>11	PCS	
4735075	BTQ 185-75	12	75	4	10<>13	PCS	
4735076	BTQ 185-75	24	75	4	10<>13	PCS	
4735095	BTQ 185-95	12	95	6	12<>15	PCS	
4735096	BTQ 185-95	24	95	6	12<>15	PCS	

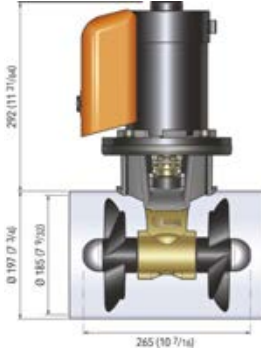
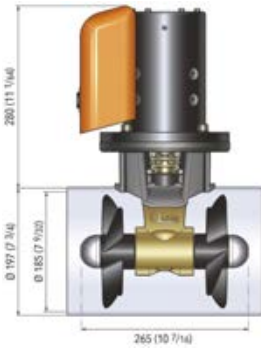


**Quick BTQ185 Double Bow Propeller**

Quick BTQ185 Bow Thruster with 2 counter-rotating propellers, carter protection, Bronze gearbox, easy replaceable independent zinc anode and elastic coupling.



Code	Bow Thruster	V	Thrust Kgf	Power Kw	For Boat m	UM	€
4735065	BTQ 185-65	12	65	3,3	8<>11	PCS	
4735085	BTQ 185-85	12	85	4,3	10<>13	PCS	
4735086	BTQ 185-85	24	85	4,3	10<>13	PCS	

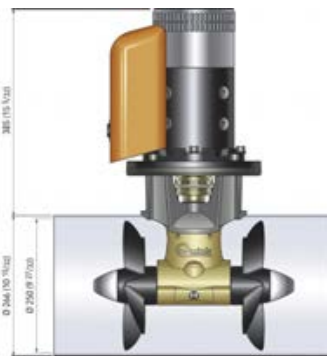


**Quick BTQ250 Bow Propeller**

Quick BTQ250 Bow Thruster with 2 counter-rotating propellers, carter protection, Bronze gearbox, easy replaceable independent zinc anode and elastic coupling.



Code	Bow Thruster	V	Thrust Kgf	Power Kw	For Boat m	UM	€
4735114	BTQ 250-140	24	140	8	14<>18	PCS	
4735124	BTQ 250-240	24	240	10	16<>21	PCS	

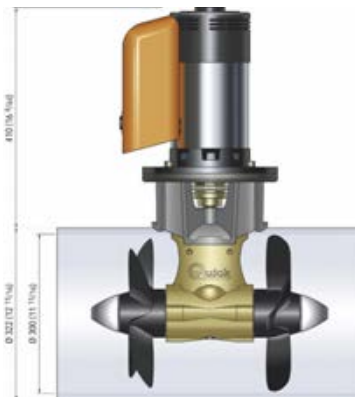
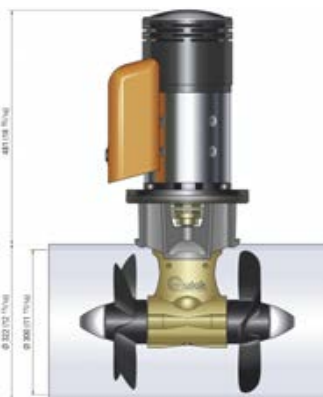


**Quick BTQ300 Bow Propeller**

Quick BTQ300 Bow Thruster with 2 counter-rotating propellers, carter protection, Bronze gearbox, easy replaceable independent zinc anode and elastic coupling.



Code	Bow Thruster	V	Thrust Kgf	Power Kw	For Boat m	UM	€
4735116	BTQ 300-250	24	250	10	20<>26	PCS	
4735126	BTQ 300-270	24	270	12	23<>30	PCS	



**Quick Bow Propeller Complete Kit**

Complete Quick Bow Thruster ready to install kit.

With carter protection made of sturdy composite material, Bronze gearbox and elastic coupling.

Contains:

Tunnel: L75 cm (BTQ 125/140) - L100 cm (BTQ 185)

Panels: touch TCD1022 (BTQ 125/140) - joystick TCD1042 (BTQ 185)

Electric cables: 6 m (BTQ 125/140) - 12 m (BTQ 125/140)

Fuse and fuse holder.

Code	Bow Thruster	V	Thrust Kgf	Power Kw	For Boat m	UM	€
4735130	BTQ 125-30	12	30	1,5	7<>8	PCK	
4735140	BTQ 140-40	12	40	2,2	7<>9	PCK	
4735155	BTQ 185-55	12	55	3,0	8<>11	PCK	
4735165	BTQ 185-65 Double	12	65	3,3	8<>11	PCK	
4735185	BTQ 185-85 Double	12	85	4,3	10<>13	PCK	


**Control Panels for Quick Bow Propellers**

TCD Quick control panels with push-buttons or Joysticks for operating bow-thruster propellers. Simple and intuitive user interface. Universal 8-30 Vdc power supply. Possibility of connecting several TCD controls in parallel. Easy to install thanks to the 2-wire connector (optional extensions). Automatic priority system and disablement. Protection against reverse polarity, short circuit output, prolonged activity of motor and interruption of thruster controls wiring.

Code	Ref	Dimensions	UM	€
4735001	Touch Panel TCD 1022	78 x 78 x 22 mm	PCS	
4735002	Joystick Panel TCD 1042	78 x 78 x 113 mm	PCS	
4735003	Double Joystick Panel TCD 1044	78 x 131 x 113 mm	PCS	
4735005	Joystick + Emergency Stop Panel TCD 1062	78 x 131 x 113 mm	PCS	
4735008	Emergency Stop Panel TSC	78 x 65 x 78 mm	PCS	
4735007	Emergency Stop Relay Box	280 x 90 x 226 mm	PCS	
4735016	Electric Wiring	6 Meters	PCS	
4735020	Electric Wiring	12 Meters	PCS	
4735022	Electric Wiring	18 Meters	PCS	
4735024	Electric Wiring	24 Meters	PCS	

**Radio Remote Controls for Quick Bow Propellers**

Hand held and pocket radio remote controls for Quick bow thrusters. Floating, IP67 protection and LED indicator. Hand held transmitter is endowed with shock-proof rubber and silicon back-lighted keyboard. It can work with rechargeable batteries. To be completed with 4 or 6 relay receiver according to transmitter's buttons.

Code	Type	Dimensions mm	Buttons/Relay Number	Power Supply	UM	€
4735010	Pocket Transmitter	47 x 61 x H23	4	Pill 3V Battery	PCS	
4735011	Hand Held Transmitters	60 x 115 x H35	2+2 (Winch)	3 AAA Batteries	PCS	
4735012	Hand Held Transmitters	60 x 115 x H35	6+2 (Winch)	3 AAA Batteries	PCS	
1205724	Receiver	142 x 142 x H61	4	Universal 12-24V	PCS	



**Bow Tunnels**

Fiberglass bow tunnels used to mount Bow Propellers (Bow Thrusters).

Code	For Bow Thruster	L cm	Bow Tunnel ø mm	UM	€
473002707	BTQ125	75	125	PCS	
473002710	BTQ125	100	125	PCS	
473005207	BTQ140	75	140	PCS	
473005210	BTQ140	100	140	PCS	
473005215	BTQ140	150	140	PCS	
473005507	BTQ185	75	185	PCS	
473005510	BTQ185	100	185	PCS	
473005515	BTQ185	150	185	PCS	
473010510	BTQ250	100	250	PCS	
473010515	BTQ250	150	250	PCS	
473010520	BTQ250	200	250	PCS	
473011310	BTQ300	100	300	PCS	
473011315	BTQ300	150	300	PCS	
473011320	BTQ300	200	300	PCS	



Quick

**Stern Tunnels**

Fiberglass stern tunnels used to mount Bow Propellers (Bow Thrusters) on stern.

Code	For Bow Thruster	Stern Tunnel ø mm	UM	€
4730120	BTQ140	140	PCS	
4730121	BTQ185	185	PCS	
4730122	BTQ250	250	PCS	
4730123	BTQ300	300	PCS	



Quick

**Quick Propeller Kit**

Quick bow thruster propeller kit.

Code	For Bow Thruster	UM	€
4735234	BTQ140	PCS	
4735238	BTQ185 STD/R	PCS	
4735239	BTQ185 L	PCS	



Quick

**Quick Propeller Anodes Kit**

Quick bow thruster propeller anodes kit.

Code	For Bow Thruster	Ogives Pcs	UM	€
4735211	BTQ110	1	PCK	
4735214	BTQ140	1	PCK	
4735218	BTQ185	2	PCK	
4735225	BTQ250	2	PCK	
4735230	BTQ300	2	PCK	



Quick